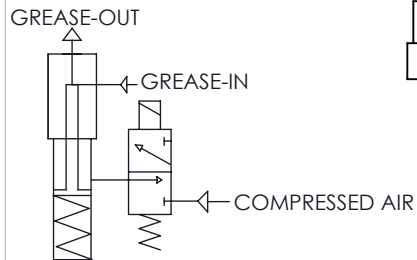
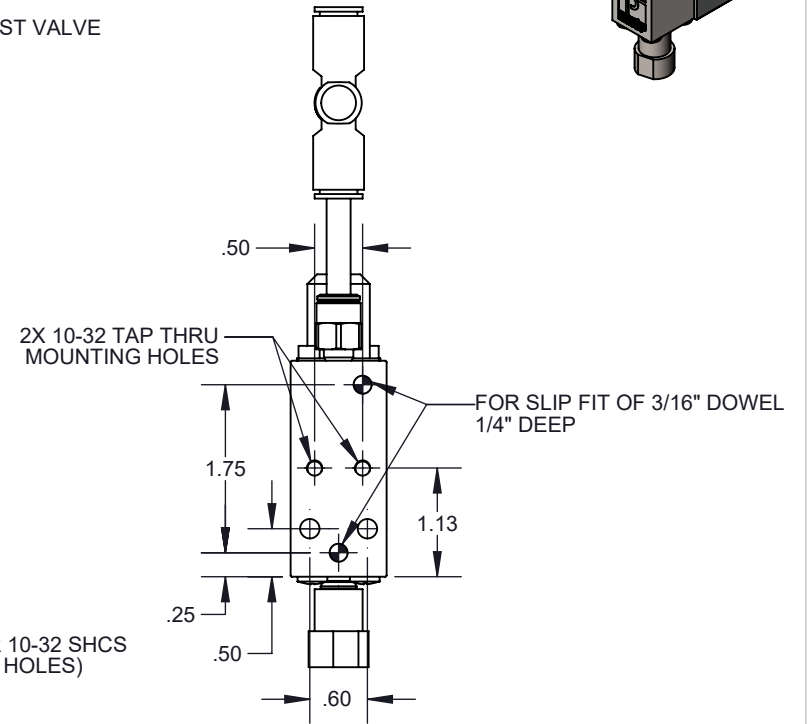
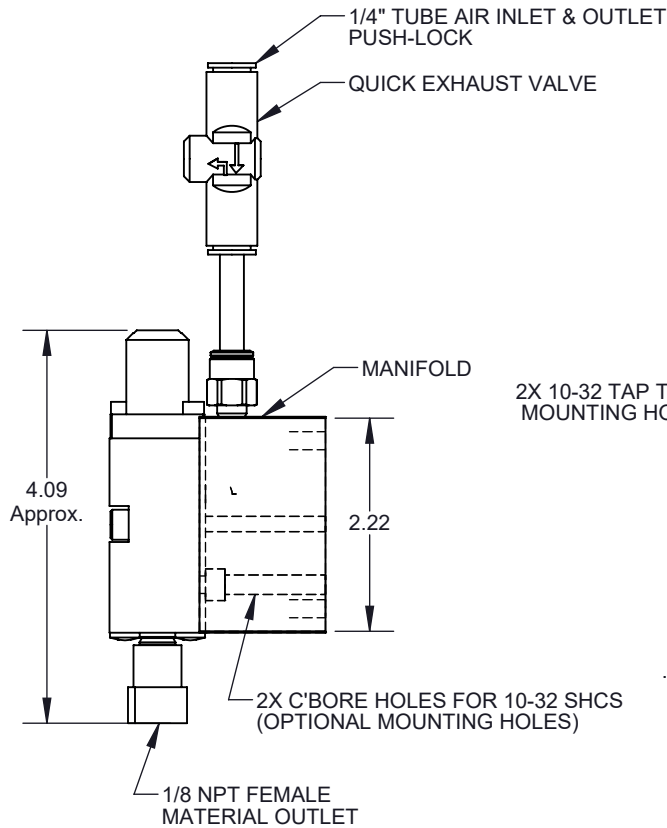
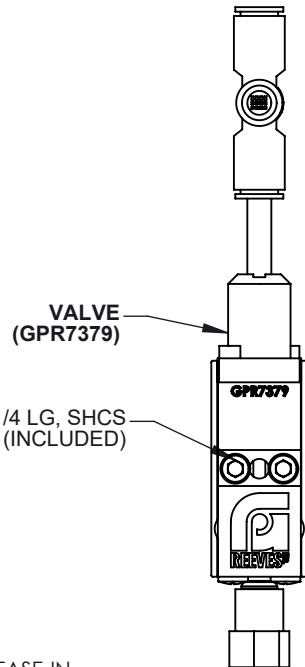
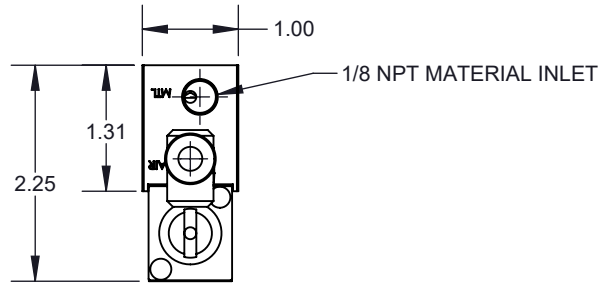
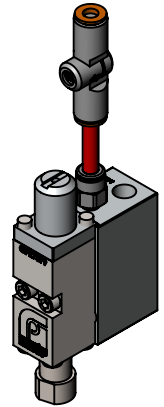


3D Model Available



NOTE: 3-WAY VALVE SUPPLIED BY CUSTOMER

### DV1003-2F:

Dispense Valve with mounting manifold. Valve is air to open, spring to close. Valve has 10-32 air inlet port, and 1/8" NPT material inlet port. Material output threads are 3/8-24 male with 1/8"NPT female adaptor fitting. Working hydraulic pressure is 1500 psi max. Operating temp is 450°F max. Air operating pressure is 30 to 60 psi.

| SALES DRAWING  |     |                | GP REEVES INC<br>HOLLAND, MI USA   |                          |
|--|-----|----------------|--|--------------------------|
| UNLESS SPECIFIED:<br>DIMENSIONS IN INCHES  |     |                | DESCRIPTION:<br>DISPENSE VALVE, 1/8" NPT, 1,500 PSI<br>MAX, 1/8" NPTF OUTLET |                          |
| PROPRIETARY AND CONFIDENTIAL<br>THE INFORMATION CONTAINED IN THIS<br>DRAWING IS THE SOLE PROPERTY OF G.P.<br>REEVES INC. ANY REPRODUCTION IN PART<br>OR AS A WHOLE WITHOUT THE WRITTEN<br>PERMISSION OF G.P. REEVES INC. IS<br>PROHIBITED. |     |                | DRAWING NO.<br>DV1003-2F   | SHEET 1 OF 3<br>REV<br>A |
| MODELED  | ACL | DATE<br>2/7/17 | WEIGHT: 0.67   | SIZE A SCALE: 1:2        |
| DETAILED   | ACL | DATE<br>2/7/17 |  |                          |

Last updated: 6/2/2023