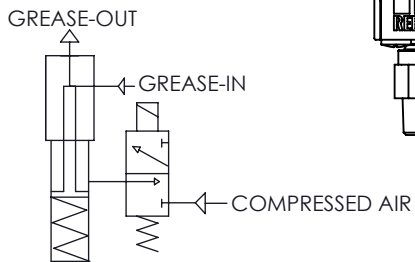
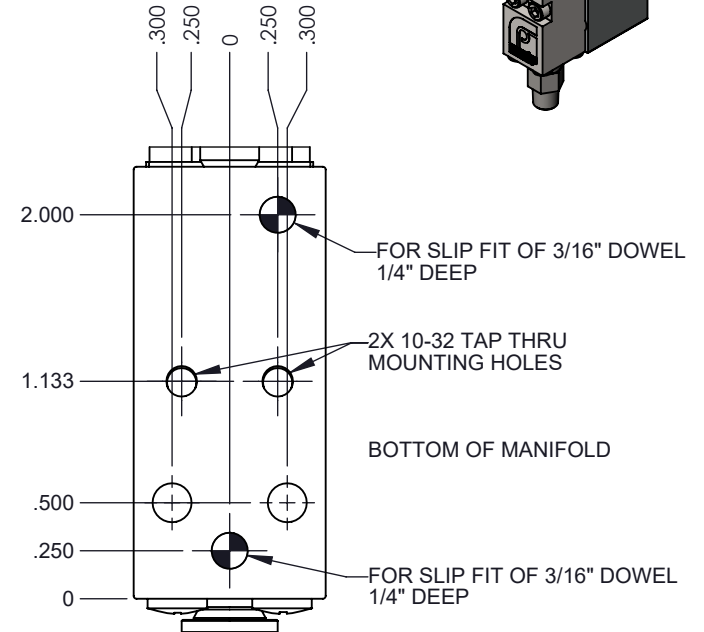
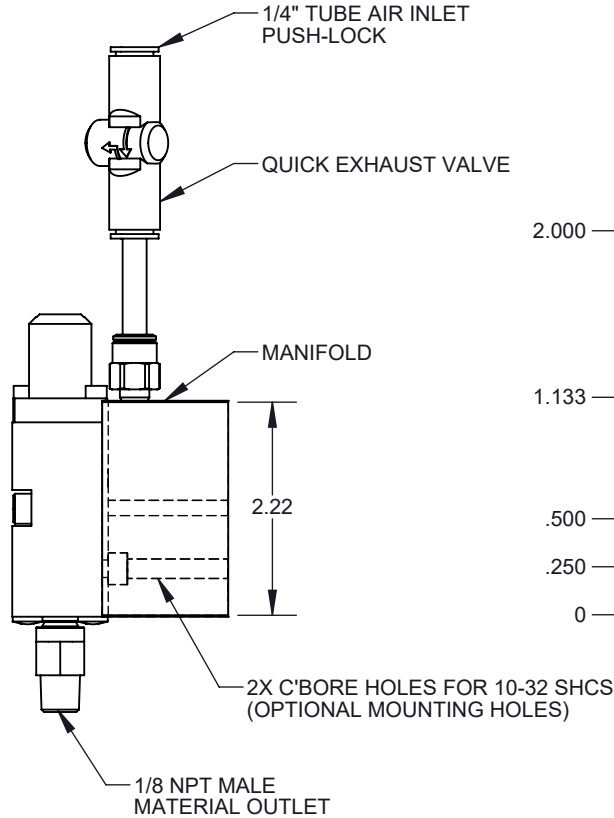
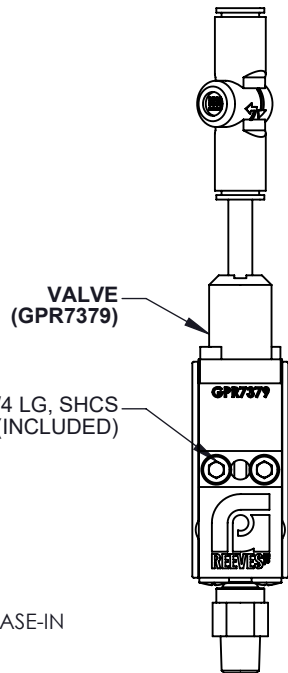
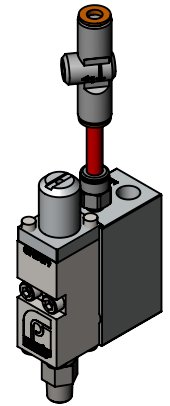
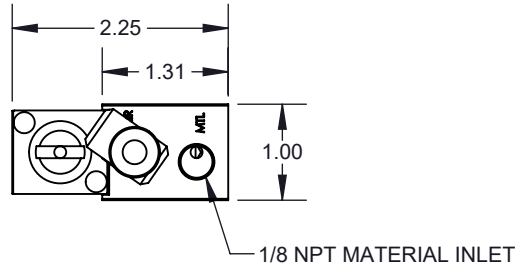


3D Model Available



NOTE: 3-WAY VALVE SUPPLIED BY CUSTOMER

DV1003-2M:

Dispense Valve with mounting manifold. Valve is air to open, spring to close. Manifold has 1/8" NPT material inlet port and 10-32 air inlet port with 1/4" in-line quick-exhaust fitting included. Material output threads are 3/8-24 male with 1/8"NPT male adaptor fitting. Max cycle rate is 3500 CPM. Working hydraulic pressure is 1500 psi max. Operating temp is 450°F max. Air operating pressure is 30 to 60 psi.

SALES DRAWING			GP REEVES INC HOLLAND, MI USA	
UNLESS SPECIFIED: DIMENSIONS IN INCHES			DESCRIPTION: DISPENSE VALVE, 1/8" NPT, 1,500 PSI MAX, 1/8" NPT OUTLET	
PROPRIETARY AND CONFIDENTIAL THE INFORMATION CONTAINED IN THIS DRAWING IS THE SOLE PROPERTY OF G.P. REEVES INC. ANY REPRODUCTION IN PART OR AS A WHOLE WITHOUT THE WRITTEN PERMISSION OF G.P. REEVES INC. IS PROHIBITED.			DRAWING NO. SHEET 1 OF 3 DV1003-2M REV A	
MODELED	BY	DATE	WEIGHT:	SIZE A SCALE: 1:2
MODELED	BMA	2/16/2017		
DETAILED	BMA	2/16/2017		

Last updated: 6/2/2023