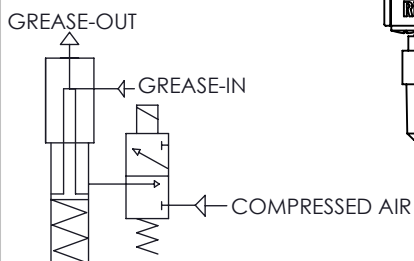
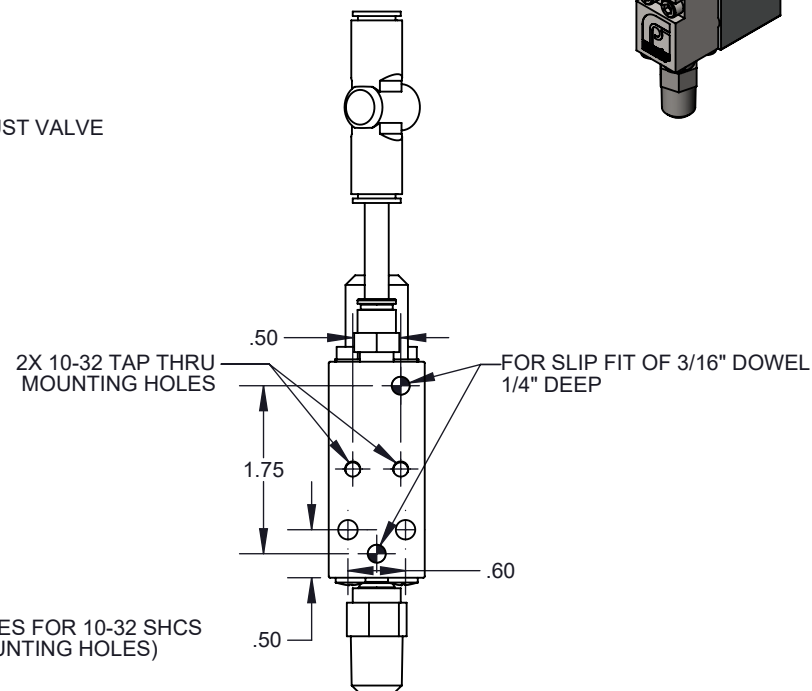
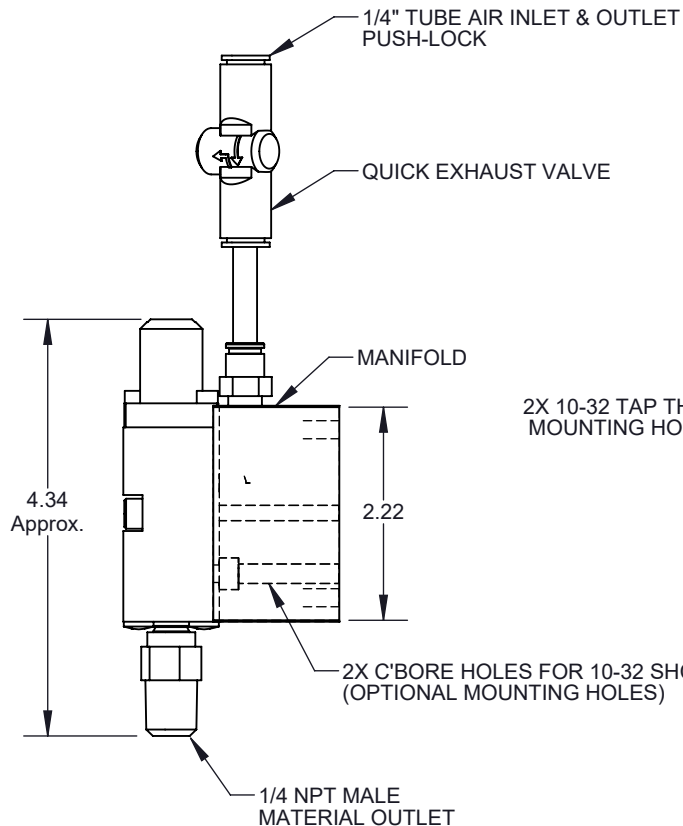
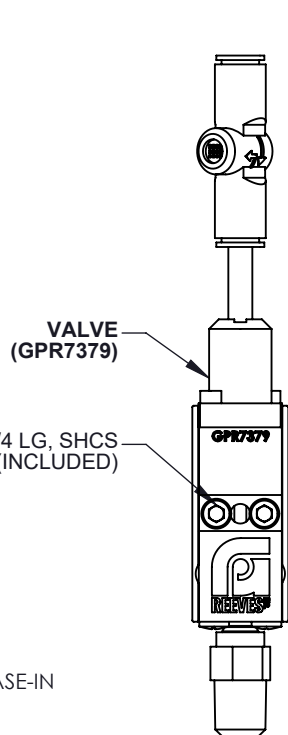
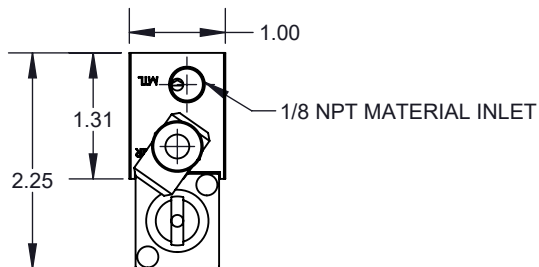
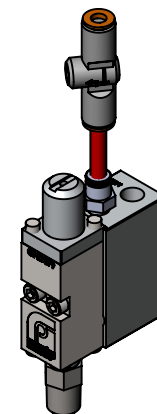


3D Model Available



NOTE: 3-WAY VALVE SUPPLIED BY CUSTOMER

### DV1003-4M:

Dispense Valve with mounting manifold. Valve is air to open, spring to close. Valve has 10-32 air inlet port, and 1/8" NPT material inlet port. Material output threads are 3/8-24 male with 1/4"NPT male adaptor fitting. Max cycle rate is 3500 CPM, working hydraulic pressure is 1500 psi max. Operating temp is 450°F max. Air operating pressure is 30 to 60 psi.

SALES DRAWING			GP REEVES INC HOLLAND, MI USA	
UNLESS SPECIFIED: DIMENSIONS IN INCHES			DESCRIPTION: DISPENSE VALVE, 1/8" NPT, 1,500 PSI MAX, 1/4" NPT OUTLET	
PROPRIETARY AND CONFIDENTIAL THE INFORMATION CONTAINED IN THIS DRAWING IS THE SOLE PROPERTY OF G.P. REEVES INC. ANY REPRODUCTION IN PART OR AS A WHOLE WITHOUT THE WRITTEN PERMISSION OF G.P. REEVES INC. IS PROHIBITED.			DRAWING NO. DV1003-4M	SHEET 1 OF 4 REV A
MODELED	BY ACL	DATE 6/3/2022	WEIGHT:	SIZE A SCALE: 1:2
DETAILED	ACL	6/3/2022		

Last updated: 6/2/2023