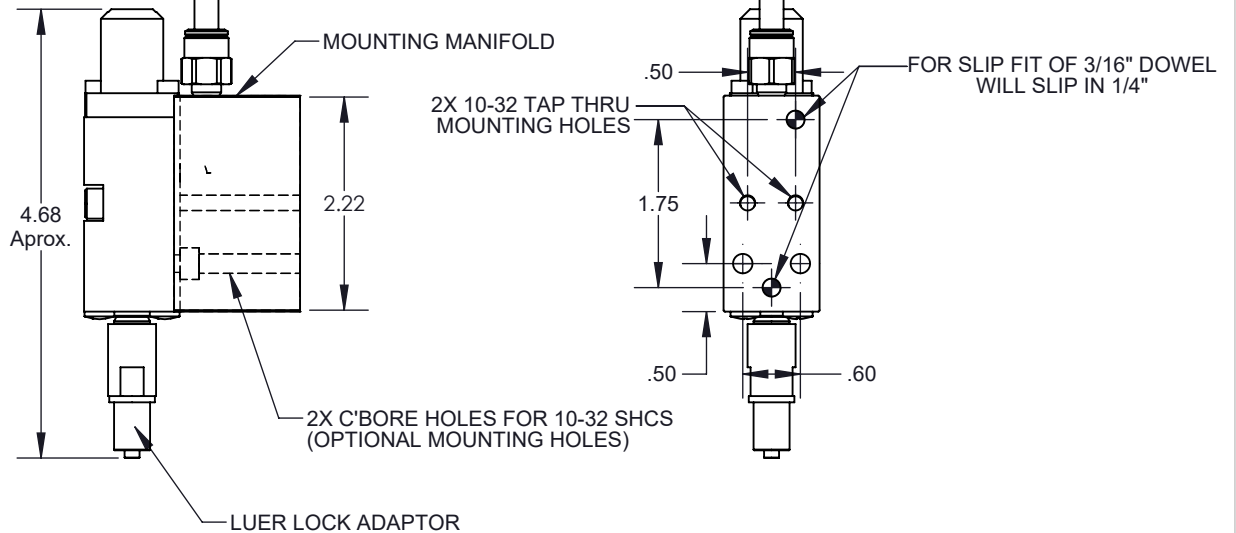
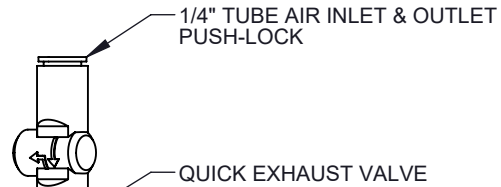
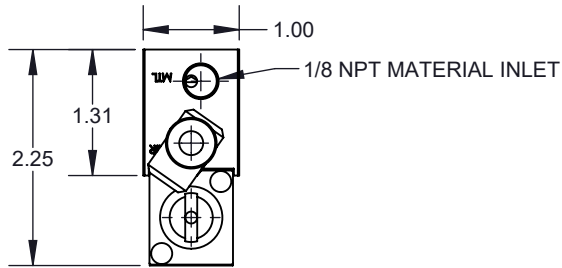
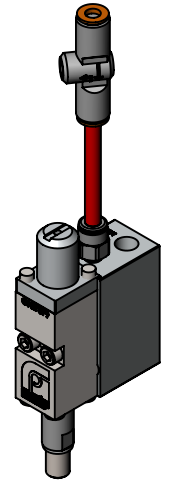
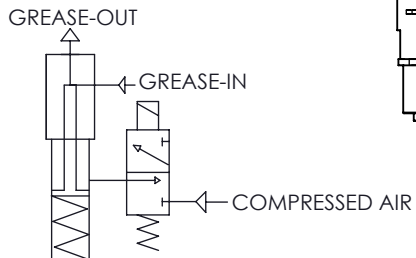


3D Model Available



2X 10-32 X 1-1/4 LG, SHCS (INCLUDED)



- 1676 - SEAL
- KA10809
- 4333 - SEAL
- 4957

NOTE: 3-WAY VALVE SUPPLIED BY CUSTOMER

DV1003-LR:
 Dispense Valve with mounting manifold. Valve is air to open, spring to close. Valve has air inlet port for 1/4" tubing and 1/8" NPT material inlet port and leur lock outlet port.

SALES DRAWING			GP REEVES INC HOLLAND, MI USA	
UNLESS SPECIFIED: DIMENSIONS IN INCHES			DESCRIPTION: DISPENSE VALVE. 1/8" NPT, 1,500 PSI MAX, LUER LOCK OUTLET	
PROPRIETARY AND CONFIDENTIAL THE INFORMATION CONTAINED IN THIS DRAWING IS THE SOLE PROPERTY OF G.P. REEVES INC. ANY REPRODUCTION IN PART OR AS A WHOLE WITHOUT THE WRITTEN PERMISSION OF G.P. REEVES INC. IS PROHIBITED.				
MODELED	DAG	DATE	5/27/2015	REV A
DETAILED	DAG	DATE	5/27/2015	DRAWING NO. DV1003-LR
WEIGHT:		SIZE	A	SCALE: 1:2

Last updated: 6/2/2023