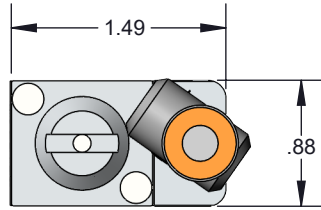
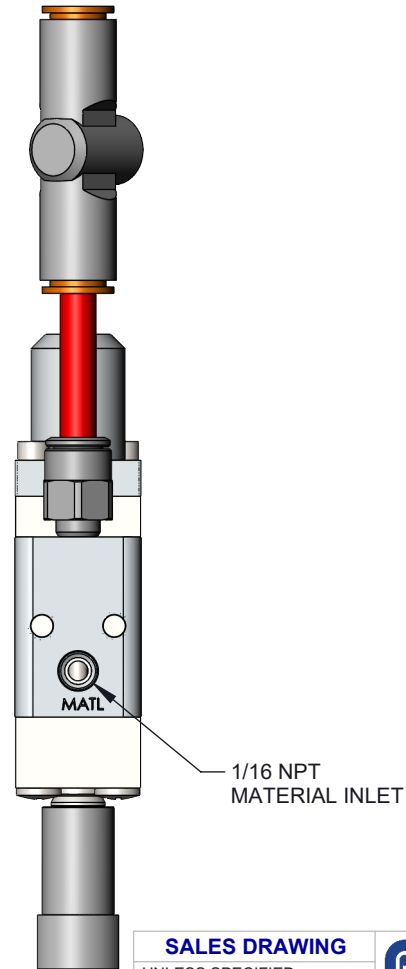
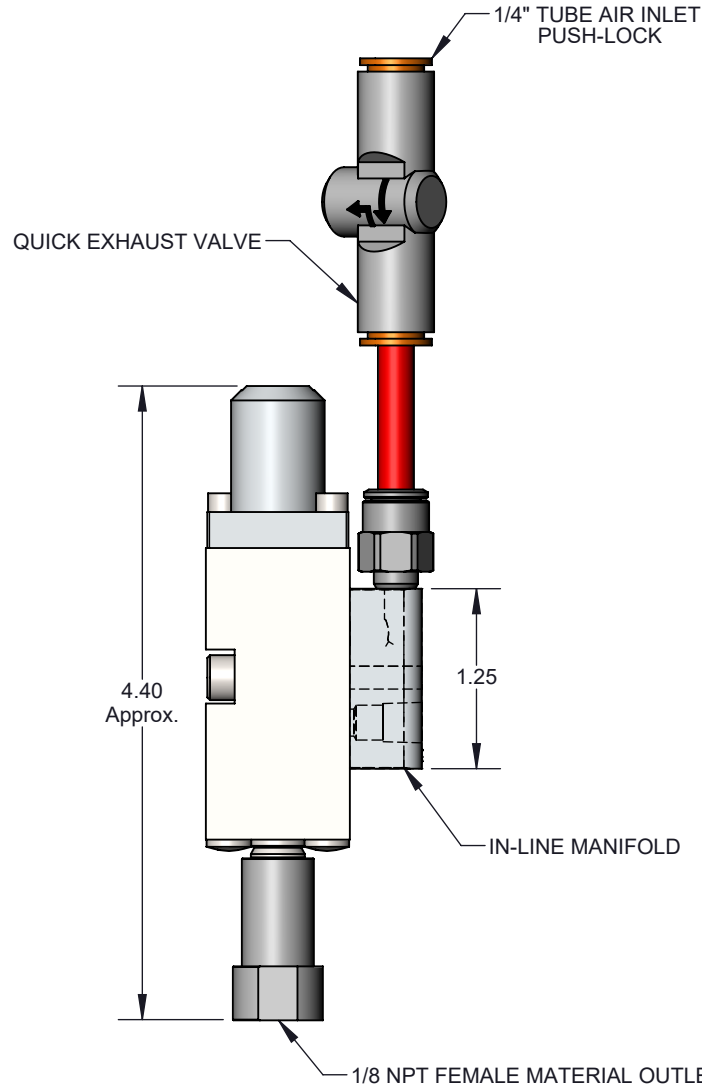
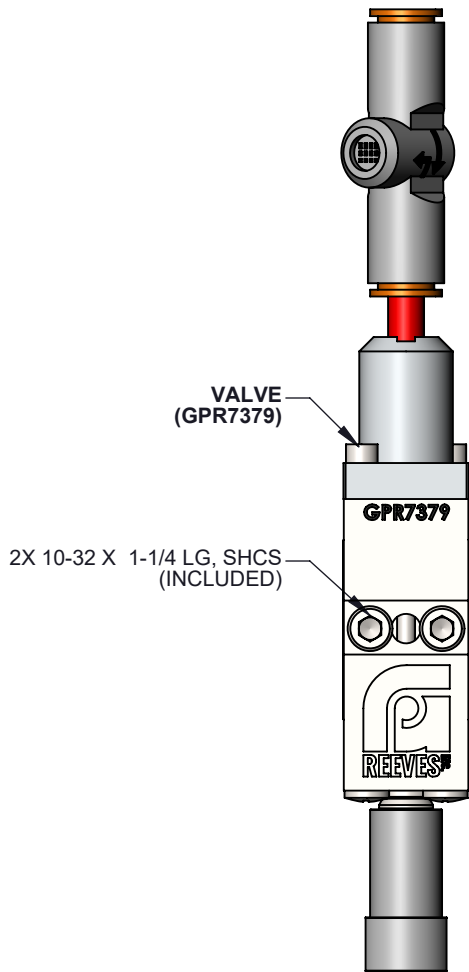
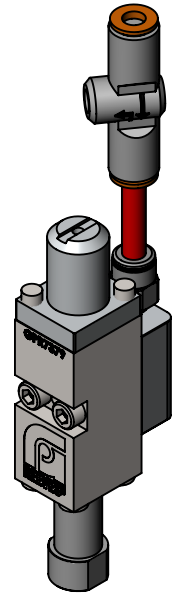


NOTE: 3-WAY VALVE SUPPLIED BY CUSTOMER



3D Model Available



I = inline mounting

DV1003I-2F:

Dispense Valve with inline style feed block. Valve is air to open, spring to close. Valve has air inlet port for 1/4" tubing, 1/16 NPT female material inlet, and 1/8 NPT Female outlet fitting.

SALES DRAWING			REEVES		GP REEVES INC HOLLAND, MI USA
UNLESS SPECIFIED: DIMENSIONS IN INCHES			DESCRIPTION: INLINE DISPENSE VALVE, 1/16" NPT, 1,500 PSI MAX, 1/8" NPTF OUTLET WITH MANIFOLD		
PROPRIETARY AND CONFIDENTIAL THE INFORMATION CONTAINED IN THIS DRAWING IS THE SOLE PROPERTY OF G.P. REEVES INC. ANY REPRODUCTION IN PART OR AS A WHOLE WITHOUT THE WRITTEN PERMISSION OF G.P. REEVES INC. IS PROHIBITED.			DRAWING NO. DV1003I-2F		SHEET 1 OF 2 REV A
MODELED	KAB	8/13/21	WEIGHT: 0.48 lb	SIZE A	SCALE: 3:4
DETAILED	KAB	8/13/21			