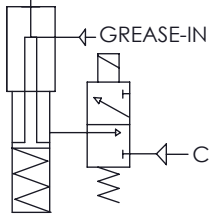


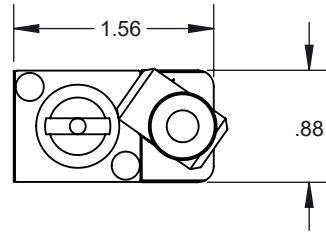
GREASE-OUT

GREASE-IN

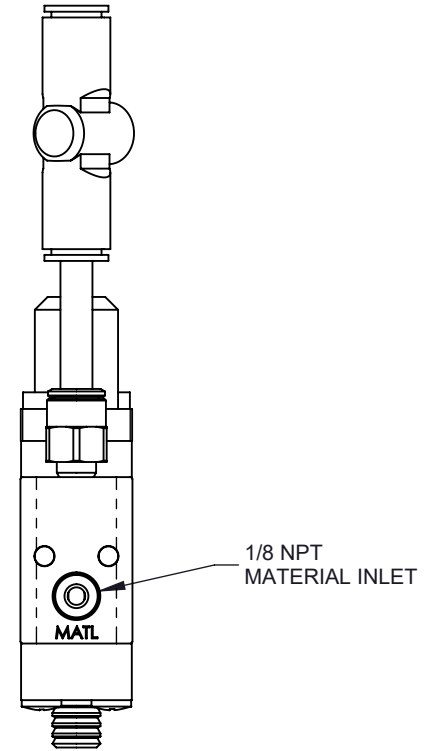
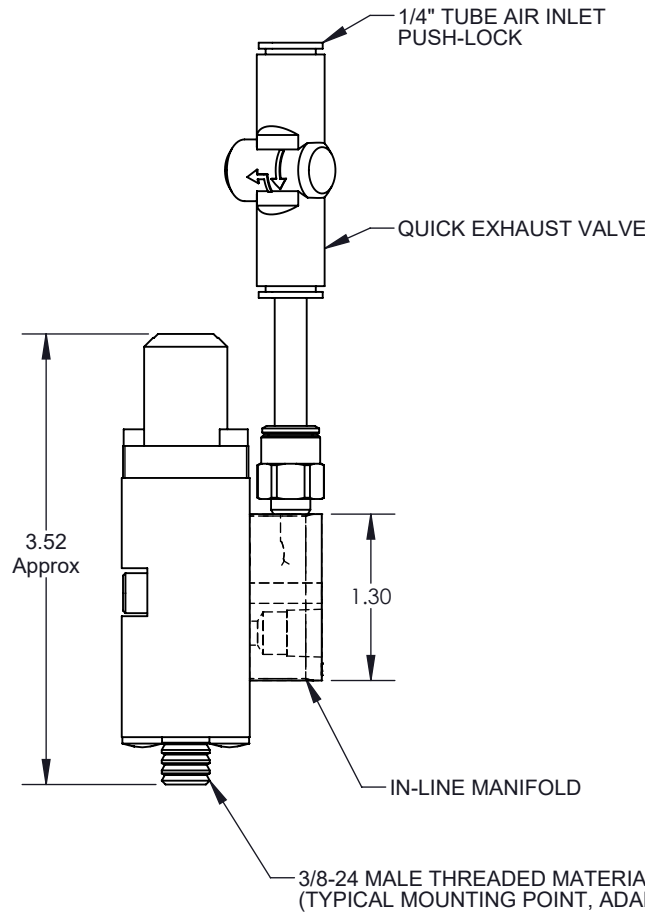
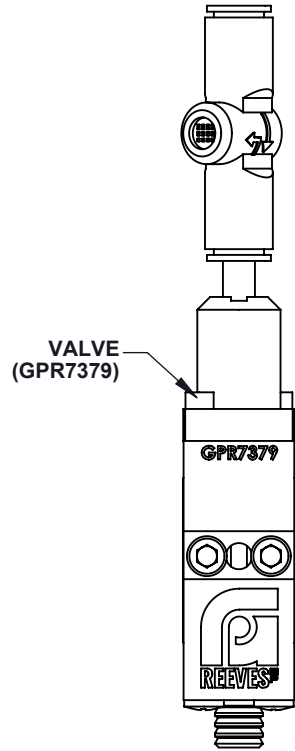
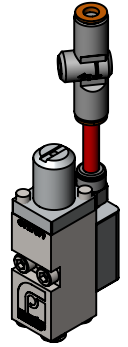
COMPRESSED AIR



NOTE: 3-WAY VALVE SUPPLIED BY CUSTOMER



3D Model Available



I = inline mounting  
2 = 1/8 NPT Inlet

**DV1003I2-0:**

Dispense Valve with inline style feed block. Valve is air to open, spring to close. Valve has air inlet port for 1/4" tubing, 1/8 NPT female material inlet, and 3/8-24 outlet thread.

<b>SALES DRAWING</b>			GP REEVES INC HOLLAND, MI USA	
UNLESS SPECIFIED: DIMENSIONS IN INCHES			DESCRIPTION: INLINE DISPENSE VALVE, 1/8" NPT, 1,500 PSI MAX	
<b>PROPRIETARY AND CONFIDENTIAL</b> THE INFORMATION CONTAINED IN THIS DRAWING IS THE SOLE PROPERTY OF G.P. REEVES INC. ANY REPRODUCTION IN PART OR AS A WHOLE WITHOUT THE WRITTEN PERMISSION OF G.P. REEVES INC. IS PROHIBITED.				
MODELED	BY	DATE	DRAWING NO.	SHEET 1 OF 2
	BMA	2/12/20	DV1003I2-0	REV <b>A</b>
DETAILED	BMA	2/12/20	WEIGHT: 0.620 lb	SIZE A SCALE: 2:3