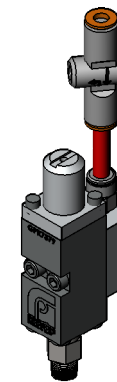
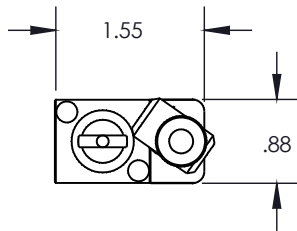
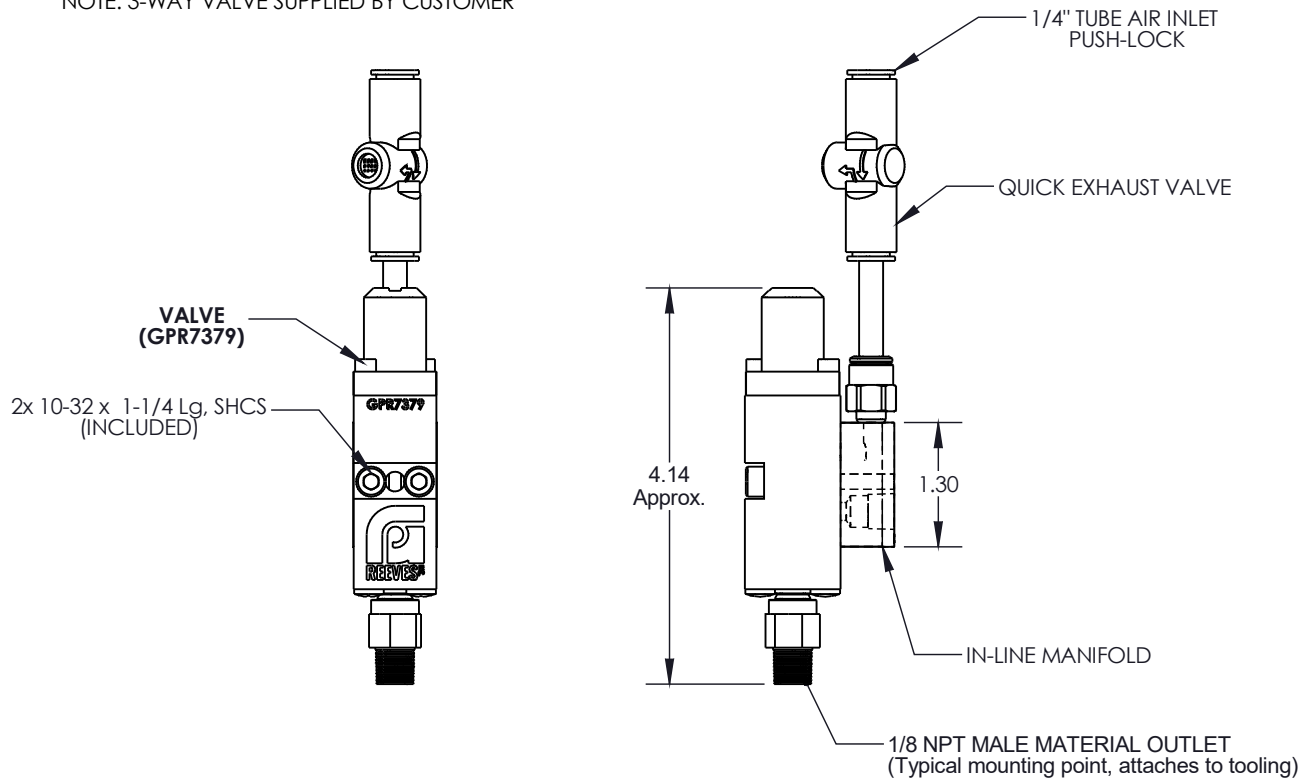


NOTE: 3-WAY VALVE SUPPLIED BY CUSTOMER



3D Model Available



I = inline mounting

**DV1003I2-2M:**

Dispense Valve with inline style feed block. Valve is air to open, spring to close. Valve has air inlet port for 1/4" tubing, 1/8 NPT female material inlet, and 1/8 NPT male outlet fitting.

**SALES DRAWING**

PROPRIETARY AND CONFIDENTIAL  
THE INFORMATION CONTAINED IN THIS DRAWING IS THE SOLE PROPERTY OF G. P. REEVES INC. ANY REPRODUCTION IN PART OR AS A WHOLE WITHOUT THE WRITTEN PERMISSION OF G. P. REEVES INC. IS PROHIBITED.



DESCRIPTION:  
Dispense Valve w/ inline style feed block.

DIMENSIONS: INCHES UNLESS NOTED		SIZE	DWG. NO.	REV
MODELED	NAME	DATE	A	DV1003I2-2M
DETAILED	ACL	2/18/20	SCALE: 1:2	WEIGHT: 0.48 lb   SHEET 1 OF 2

Last updated: 2/18/2020