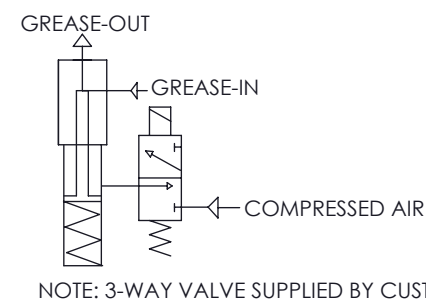
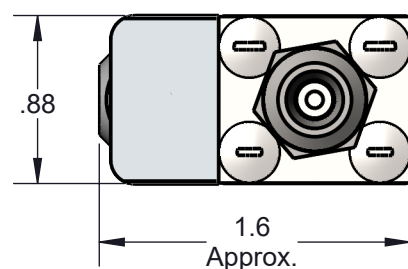


I = inline mounting  
2 = 1/8 NPT Inlet

**DV1003I2-4M:**  
Inline dispense valve with 1/8" NPT ports rated for 1,500 psi of material pressure. Valve comes with 1/8" NPT adaptor.



SALES DRAWING		REEVES <sup>INC</sup>		GP REEVES INC HOLLAND, MI USA	
UNLESS SPECIFIED: DIMENSIONS IN INCHES					
PROPRIETARY AND CONFIDENTIAL THE INFORMATION CONTAINED IN THIS DRAWING IS THE SOLE PROPERTY OF G.P. REEVES INC. ANY REPRODUCTION IN PART OR AS A WHOLE WITHOUT THE WRITTEN PERMISSION OF G.P. REEVES INC. IS PROHIBITED.					
MODELED	BY ACL	DATE 2/18/2020	DESCRIPTION: <b>INLINE DISPENSE VALVE, 1/8" NPT, 1,500 PSI MAX, 1/4" NPT OUTLET</b>		
DETAILED	DDF	2/9/2023	DRAWING NO. <b>DV1003I2-4M</b>	REV	
WEIGHT: 0.48 lb			SIZE B	SCALE: 1:1	SHEET 1 OF 2