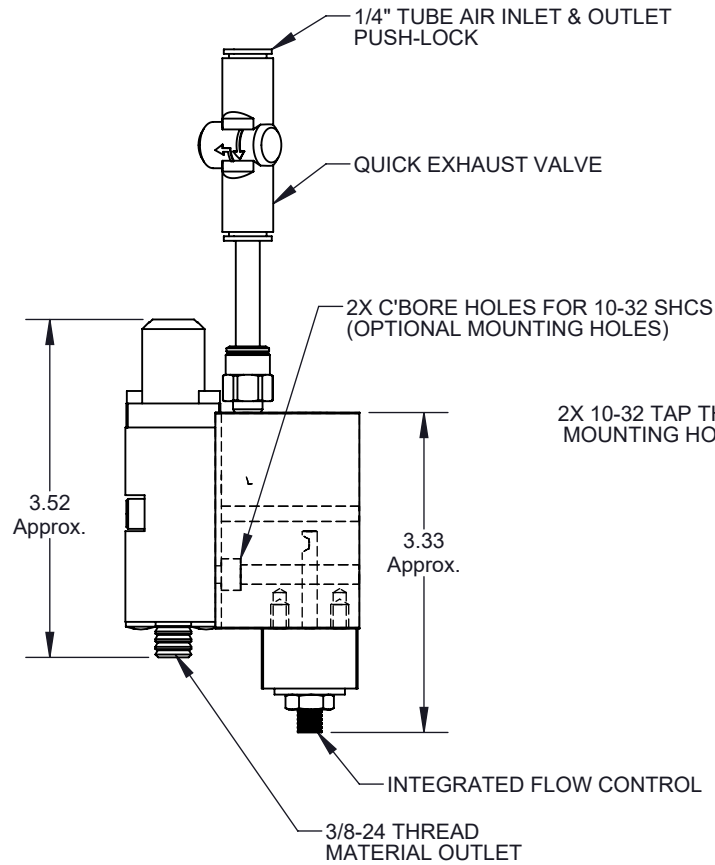
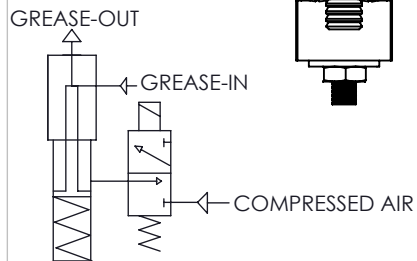
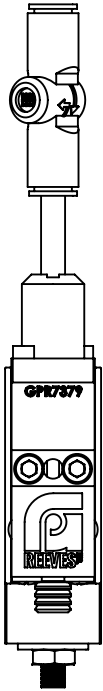
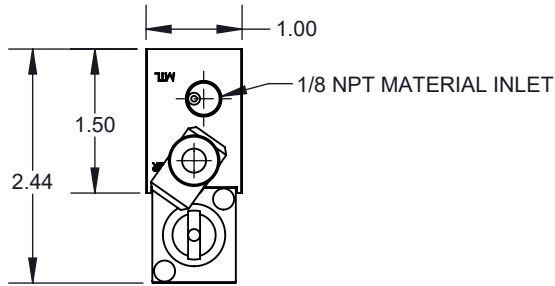
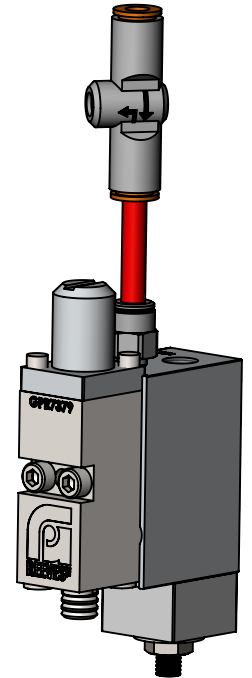
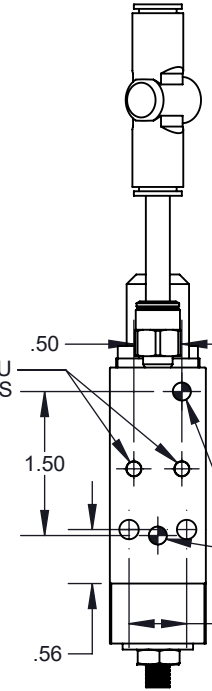


3D Model Available



2X 10-32 TAP THRU MOUNTING HOLES



DV1003TM-0:

Dispense Valve with mounting manifold, integrated flow control, and luer lock adaptor. Valve is air to open, spring to close. Valve has 10-32 air inlet port with fitting for use with 1/4" tubing and 1/8" NPT material inlet port. Valve is designed for use with time dispense systems. The maximum pressure rating is 1,500 PSI.

SALES DRAWING

UNLESS SPECIFIED:
DIMENSIONS IN INCHES

PROPRIETARY AND CONFIDENTIAL
THE INFORMATION CONTAINED IN THIS DRAWING IS THE SOLE PROPERTY OF G.P. REEVES INC. ANY REPRODUCTION IN PART OR AS A WHOLE WITHOUT THE WRITTEN PERMISSION OF G.P. REEVES INC. IS PROHIBITED.

	BY	DATE
MODELED	ACL	5/4/18
DETAILED	ACL	5/4/18



GP REEVES INC
HOLLAND, MI USA

DESCRIPTION:
DISPENSE VALVE, 1/8" NPT, 1,500 PSI MAX, FLOW CONTROL, MALE 3/8-24 OUTLET

DRAWING NO. DV1003TM-0 SHEET 1 OF 2 REV A

WEIGHT: SIZE A SCALE: 1:2

Last updated: 6/5/2023