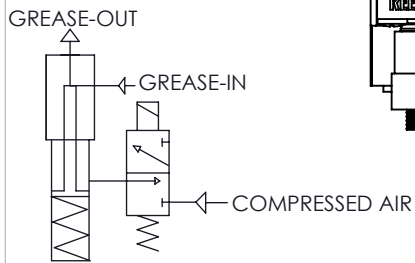
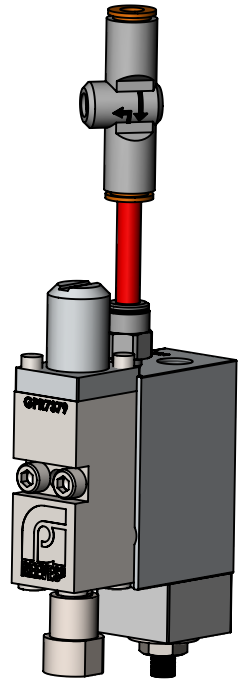
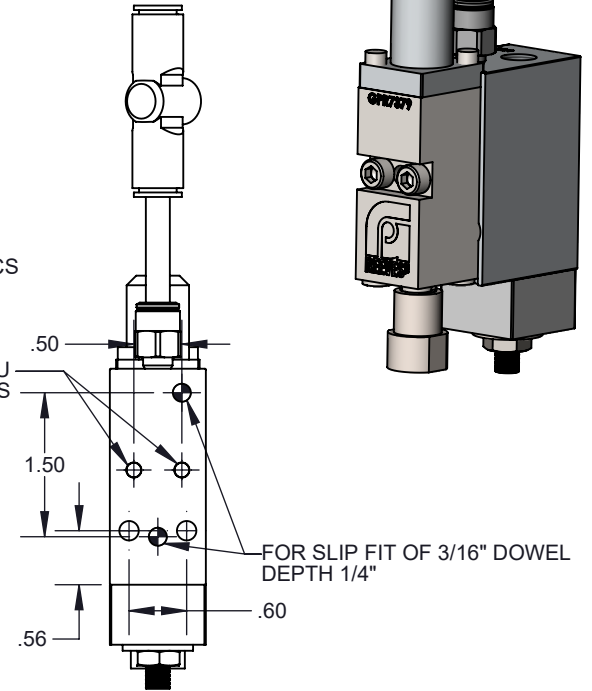
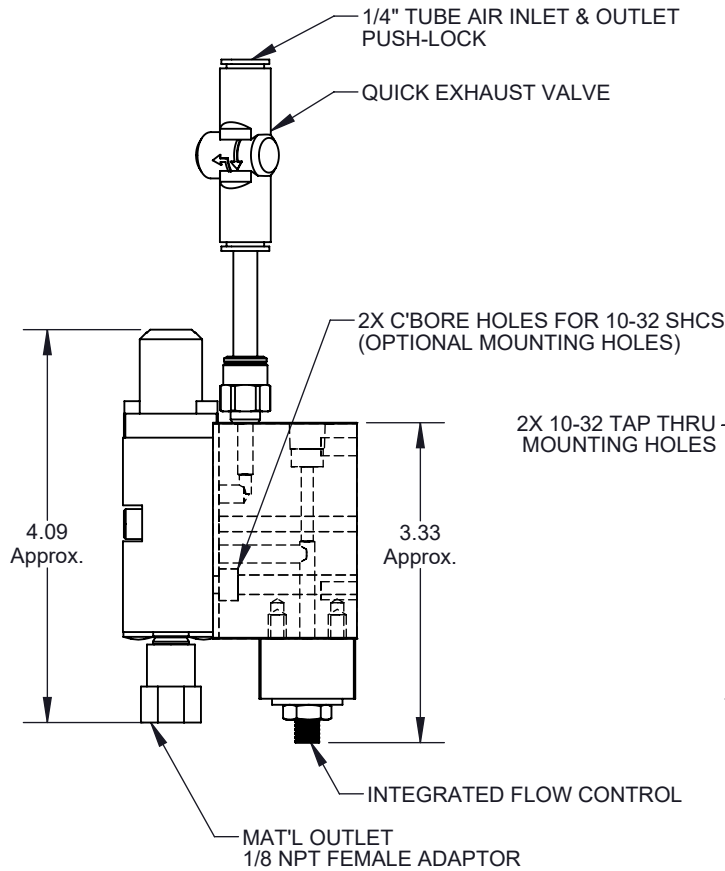
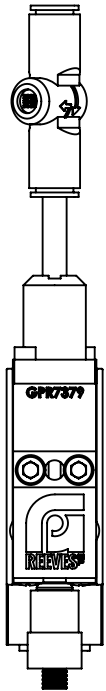
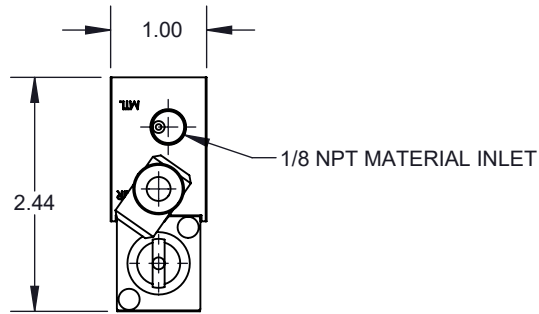


3D Model Available



NOTE: 3-WAY VALVE SUPPLIED BY CUSTOMER

DV1003TM-2F:

Dispense Valve with mounting manifold, integrated flow control, and luer lock adaptor. Valve is air to open, spring to close. Valve has 10-32 air inlet port with fitting for use with 1/4" tubing and 1/8" NPT material inlet port. Valve is designed for use with time dispense systems. The maximum pressure rating is 1,500 PSI. Includes Outlet port 1/8 NPT Female adaptor.

SALES DRAWING			GP REEVES INC HOLLAND, MI USA
UNLESS SPECIFIED: DIMENSIONS IN INCHES			DESCRIPTION: DISPENSE VALVE, 1/8" NPT, 1,500 PSI MAX, FLOW CONTROL, 1/8" NPT OUTLET
PROPRIETARY AND CONFIDENTIAL THE INFORMATION CONTAINED IN THIS DRAWING IS THE SOLE PROPERTY OF G.P. REEVES INC. ANY REPRODUCTION IN PART OR AS A WHOLE WITHOUT THE WRITTEN PERMISSION OF G.P. REEVES INC. IS PROHIBITED.		DRAWING NO. DV1003TM-2F	SHEET 1 OF 2 REV A
MODELED	BY ACL	DATE 6/25/18	WEIGHT:
DETAILED	BY ACL	DATE 6/25/18	SIZE A SCALE: 1:2

Last updated: 6/5/2023