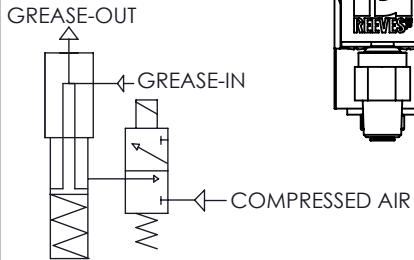
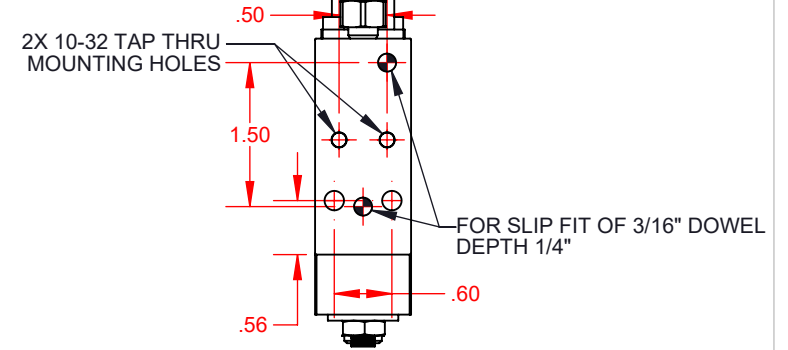
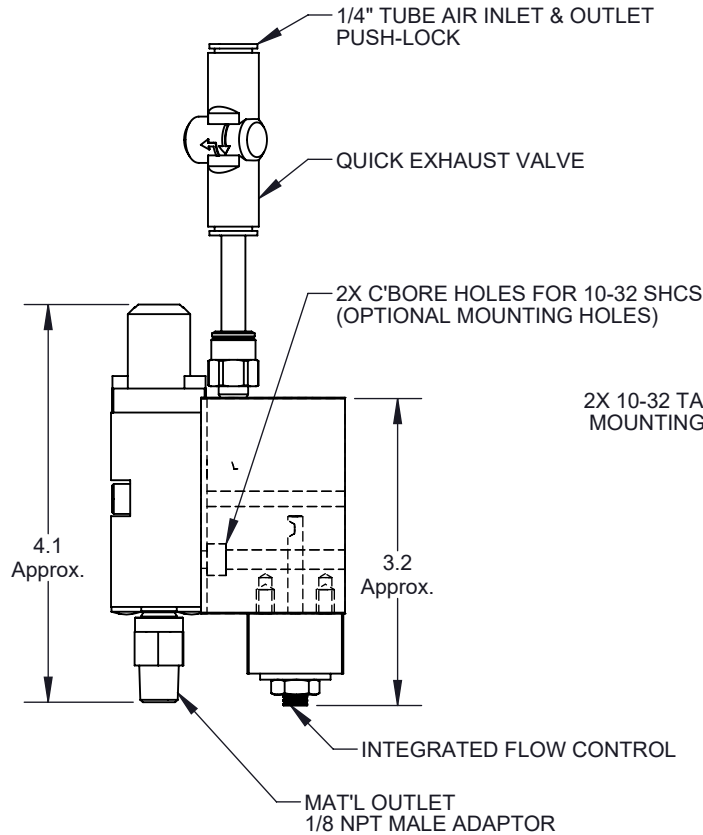
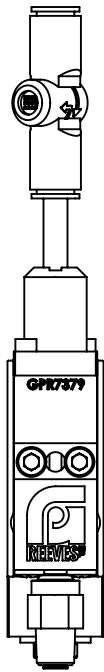
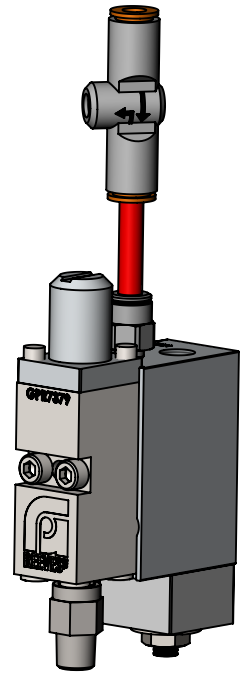
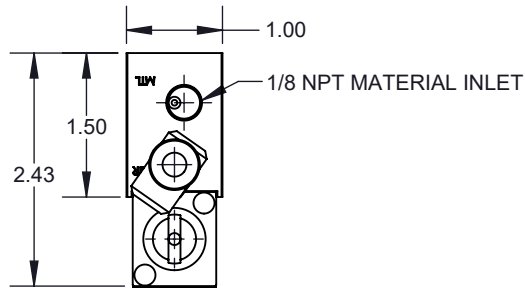


3D Model Available



NOTE: 3-WAY VALVE SUPPLIED BY CUSTOMER

## DV1003TM-2M:

Dispense Valve with mounting manifold with integrated flow control. Valve is air to open, spring to close. Valve has 10-32 air inlet port with quick-exhaust fitting for use with 1/4" tubing. Material inlet is 1/8" NPT. Valve is designed for use with time dispense systems. The maximum pressure rating is 1,500 PSI. Includes 1/8 NPT male adaptor.

SALES DRAWING			GP REEVES INC HOLLAND, MI USA	
UNLESS SPECIFIED: DIMENSIONS IN INCHES			DESCRIPTION: DISPENSE VALVE, 1/8" NPT, 1,500 PSI MAX, FLOW CONTROL, 1/8" NPT OUTLET	
PROPRIETARY AND CONFIDENTIAL THE INFORMATION CONTAINED IN THIS DRAWING IS THE SOLE PROPERTY OF G.P. REEVES INC. ANY REPRODUCTION IN PART OR AS A WHOLE WITHOUT THE WRITTEN PERMISSION OF G.P. REEVES INC. IS PROHIBITED.			DRAWING NO. DV1003TM-2M	SHEET 1 OF 3 REV A
MODELED	BY ACL	DATE 6/7/17	WEIGHT:	SCALE: 1:2
DETAILED	ACL	6/7/17	SIZE A	

Last updated: 6/5/2023