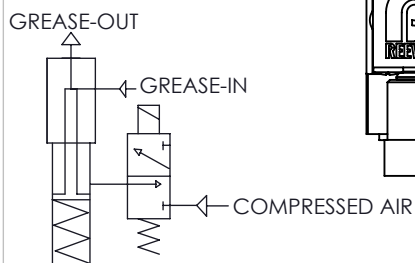
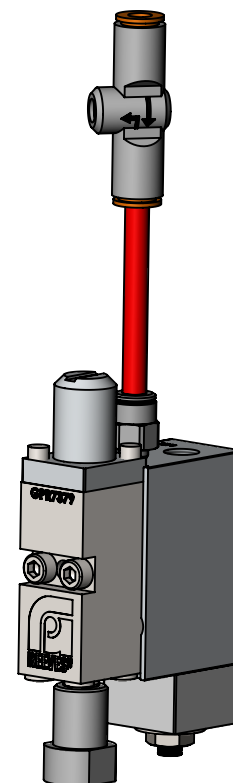
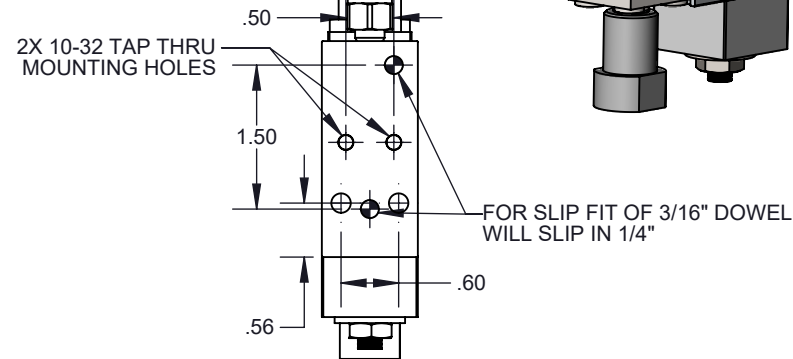
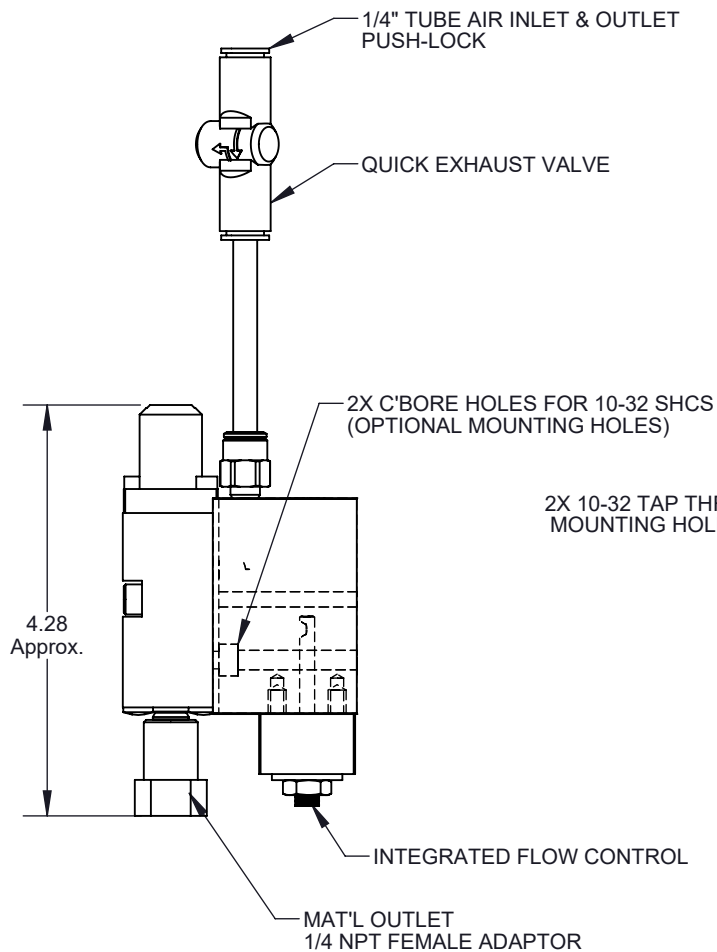
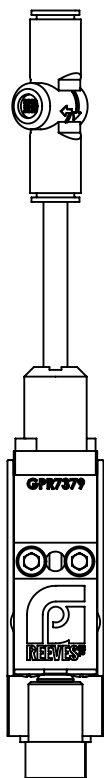
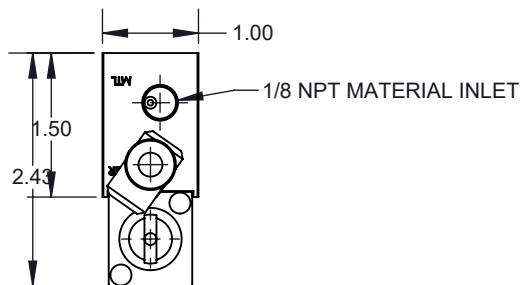


3D Model Available



NOTE: 3-WAY VALVE SUPPLIED BY CUSTOMER

### DV1003TM-4F:

Dispense Valve with mounting manifold, integrated flow control, and luer lock adaptor. Valve is air to open, spring to close. Valve has 10-32 air inlet port with fitting for use with 1/4" tubing and 1/8" NPT material inlet port. Valve is designed for use with time dispense systems. The maximum pressure rating is 1,500 PSI. Includes 1/4 NPT Female adaptor.

<b>SALES DRAWING</b>			GP REEVES INC HOLLAND, MI USA
UNLESS SPECIFIED: DIMENSIONS IN INCHES			DESCRIPTION: DISPENSE VALVE, 1/8" NPT, 1,500 PSI MAX, FLOW CONTROL, 1/4" NPT OUTLET
<b>PROPRIETARY AND CONFIDENTIAL</b> THE INFORMATION CONTAINED IN THIS DRAWING IS THE SOLE PROPERTY OF G.P. REEVES INC. ANY REPRODUCTION IN PART OR AS A WHOLE WITHOUT THE WRITTEN PERMISSION OF G.P. REEVES INC. IS PROHIBITED.		DRAWING NO. <b>DV1003TM-4F</b>	SHEET 1 OF 3 REV <b>A</b>
MODELED	ACL	DATE 4/16/18	WEIGHT:
DETAILED	ACL	DATE 4/16/18	SIZE A SCALE: 1:2