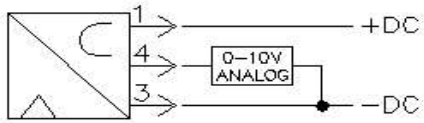
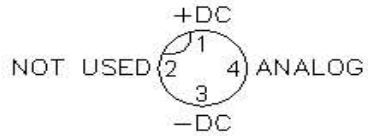


### Electrical

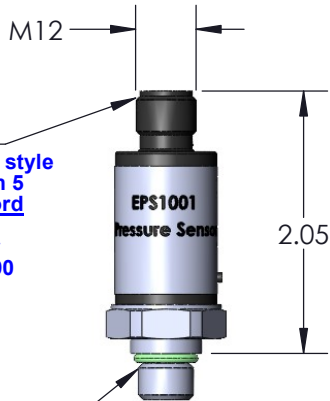


View of male pin connector

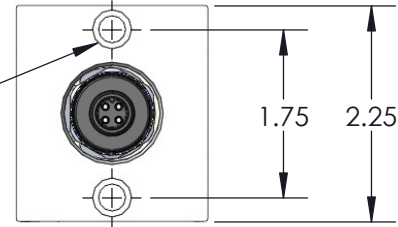


**CABLE OPTIONS**  
Both are DC Micro style (four-pin type) with 5 meter long PVC cord  
#1850 cord has a straight connector  
#1851 cord has a 90 degree connector

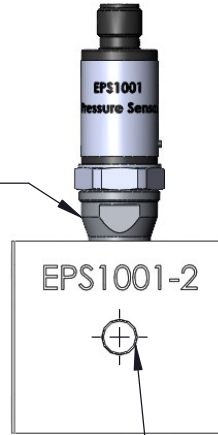
#4 SAE pressure inlet (to use with 1/8 NPT female port, use #3993 adaptor)



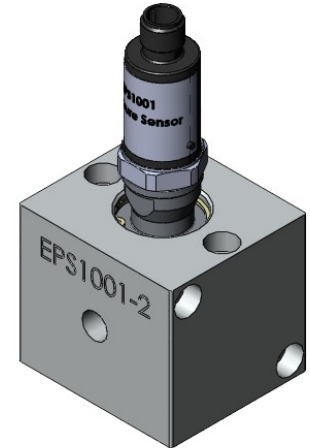
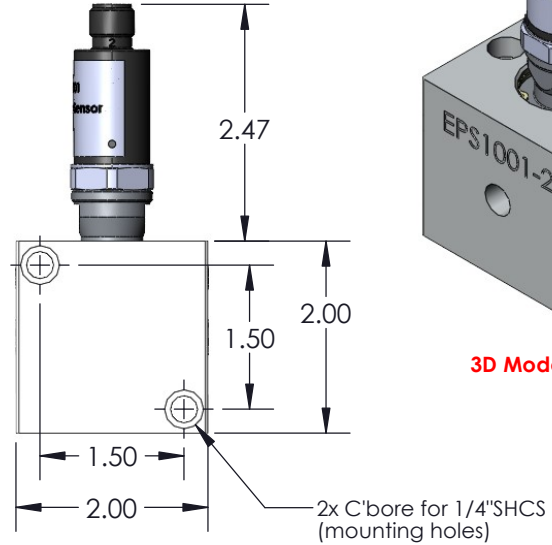
2x C'bore for 1/4"SHCS (mounting holes)



360° SWIVEL



1/8"NPT Grease Inlet/Outlet (both sides)



3D Model Available

REFERENCE DOCUMENTATION:  
-EPS1001\_Sample.pdf

### EPS1001-2:

Electronic Pressure Sensor - 0-60 Bar (870 p.s.i.), Includes mounting block with 1/8" NPT inlet and outlet port, 0 to 10 Volt Output, 4 Pin Micro Connector. Includes a sample program for use with A-B Micrologix PLC. This sensor requires an analog input to the user's PLC.

### SALES DRAWING

UNLESS SPECIFIED:  
DIMENSIONS IN INCHES

**PROPRIETARY AND CONFIDENTIAL**  
THE INFORMATION CONTAINED IN THIS DRAWING IS THE SOLE PROPERTY OF G.P. REEVES INC. ANY REPRODUCTION IN PART OR AS A WHOLE WITHOUT THE WRITTEN PERMISSION OF G.P. REEVES INC. IS PROHIBITED.

MODELED	BY	DATE
ACL	ACL	10/27/15
DETAILED	ACL	10/27/15



GP REEVES INC  
HOLLAND, MI USA

DESCRIPTION:  
**ELECTRONIC PRESSURE SENSOR**

DRAWING NO.	SHEET 1 OF 3	REV
EPS1001-2		<b>A</b>

WEIGHT:	SIZE A	SCALE: 2:3
---------	--------	------------

Last updated: 7/26/2022