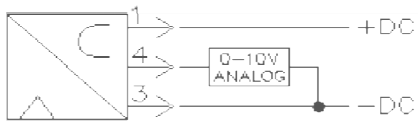
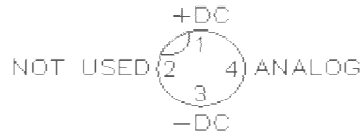


Electrical

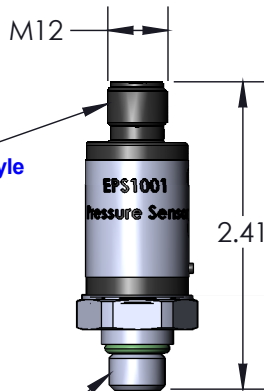


View of male pin connector

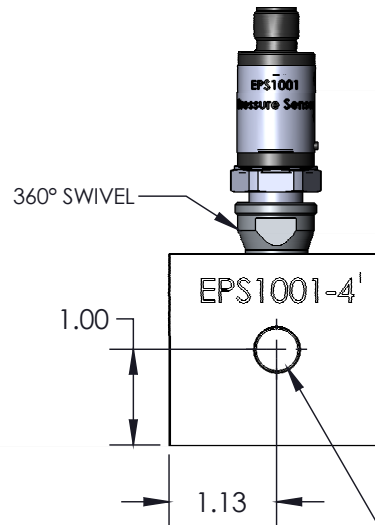
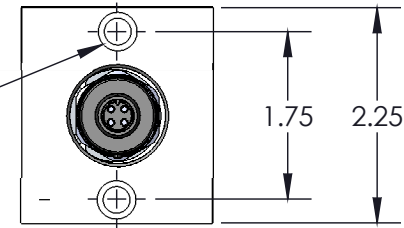


CABLE OPTIONS
Both are DC Micro style (four-pin type) with 5 meter long PVC cord
#1850 cord has a straight connector
#1851 cord has a 90 degree connector

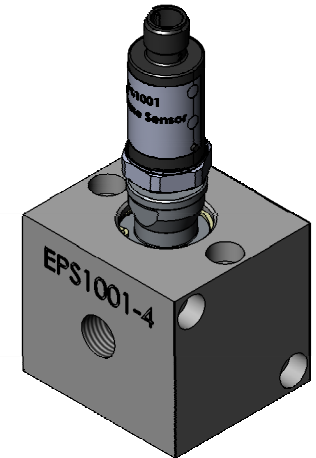
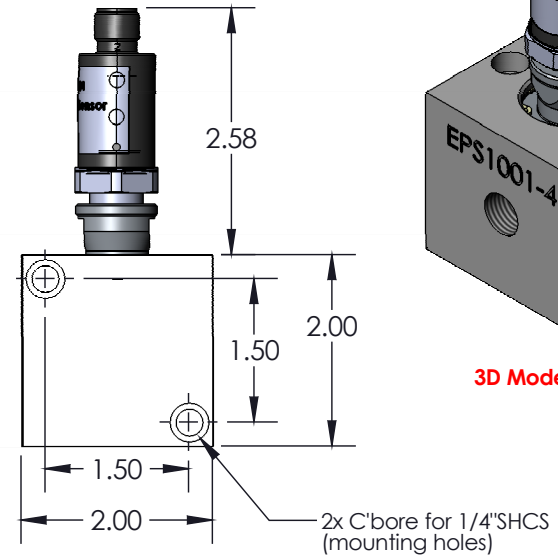
#4 SAE pressure inlet (to use with 1/8 NPT female port, use #3993 adaptor)



2x C'bore for 1/4"SHCS (mounting holes)



1/4" NPT inlet/outlet (both sides)



3D Model Available

Sales Drawing

REFERENCE DOCUMENTATION:
-KA6178 PLC Program

EPS1001-4:

Electronic Pressure Sensor - 0-60 Bar (870 p.s.i.), Includes mounting block with 1/4" NPT inlet and outlet port, 0 to 10 Volt Output, 4 Pin Micro Connector. Includes a sample program for use with A-B Micrologix PLC. This sensor requires an analog input to the user's PLC.

SALES DRAWING

PROPRIETARY AND CONFIDENTIAL
THE INFORMATION CONTAINED IN THIS DRAWING IS THE SOLE PROPERTY OF G. P. REEVES INC. ANY REPRODUCTION IN PART OR AS A WHOLE WITHOUT THE WRITTEN PERMISSION OF G. P. REEVES INC. IS PROHIBITED.

DIMENSIONS: INCHES UNLESS NOTED		
NAME	DATE	
MODELED	ACL	7/20/15
DETAILED	ACL	7/20/15



DESCRIPTION:
Electronic Pressure Sensor

SIZE	DWG. NO.	REV
A	EPS1001-4	A
SCALE: 2:3	WEIGHT:	SHEET 2 OF 3

Last updated: 10/9/2019