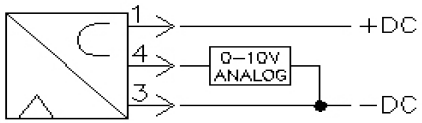
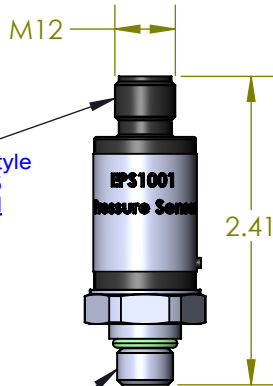
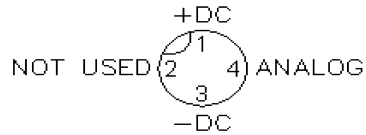


### Electrical



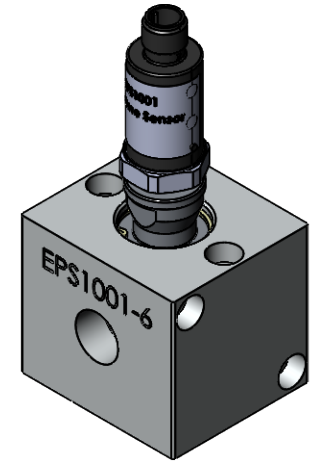
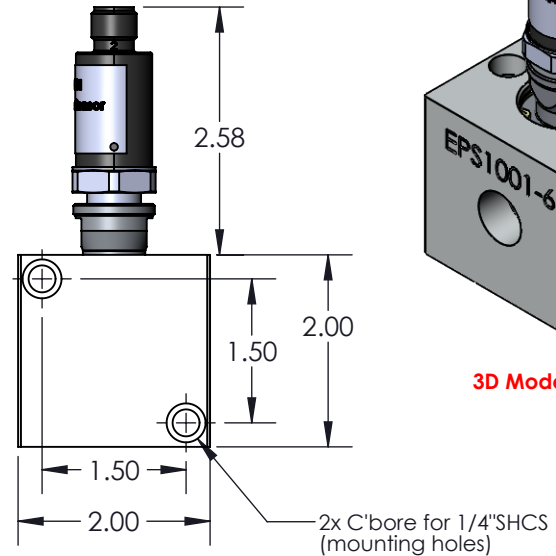
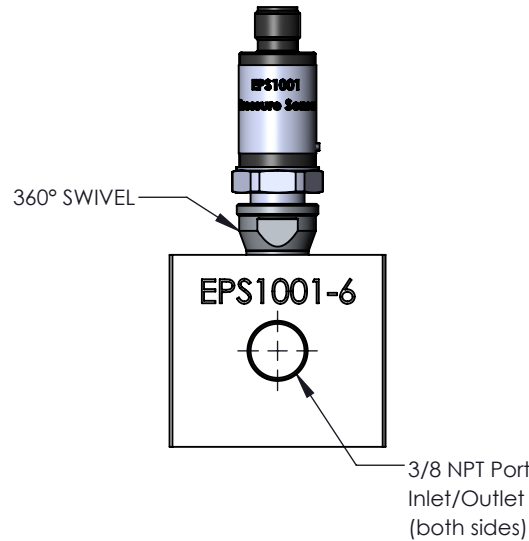
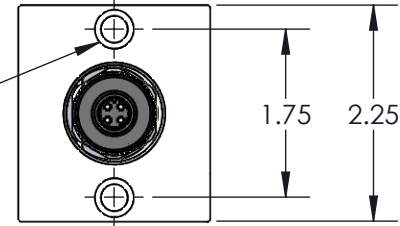
View of male pin connector



**CABLE OPTIONS**  
Both are DC Micro style (four-pin type) with 5 meter long PVC cord  
#1850 cord has a straight connector  
#1851 cord has a 90 degree connector

**#4 SAE pressure inlet**  
(to use with 1/8 NPT female port, use #3993 adaptor)

2x C'bore for 1/4"SHCS (mounting holes)



3D Model Available

REFERENCE DOCUMENTATION:  
-KA6178 PLC Program

### EPS1001-6:

Electronic Pressure Sensor - 0-60 Bar (870 p.s.i.), Includes mounting block with 3/8" NPT inlet and outlet port, 0 to 10 Volt Output, 4 Pin Micro Connector. Includes a sample program for use with A-B Micrologix PLC. This sensor requires an analog input to the user's PLC.

### SALES DRAWING

PROPRIETARY AND CONFIDENTIAL  
THE INFORMATION CONTAINED IN THIS DRAWING IS THE SOLE PROPERTY OF G. P. REEVES INC. ANY REPRODUCTION IN PART OR AS A WHOLE WITHOUT THE WRITTEN PERMISSION OF G. P. REEVES INC. IS PROHIBITED.



DESCRIPTION:  
Electronic Pressure Sensor

DIMENSIONS: INCHES UNLESS NOTED			SIZE	DWG. NO.	REV
MODELED	NAME	DATE	A	EPS1001-6	
DETAILED	ACL	7/20/18	SCALE: 2:3	WEIGHT:	SHEET 2 OF 3

Last updated: 2/16/2022