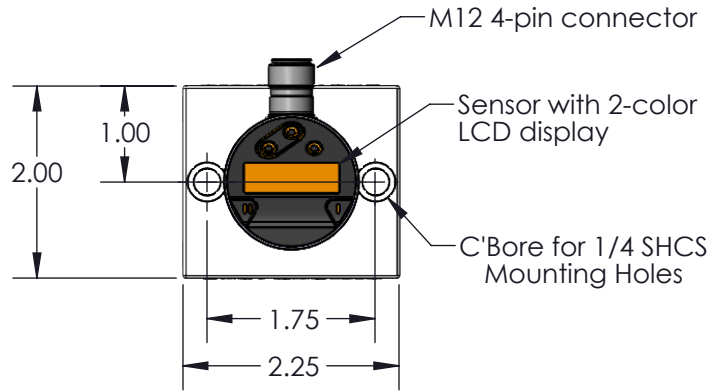
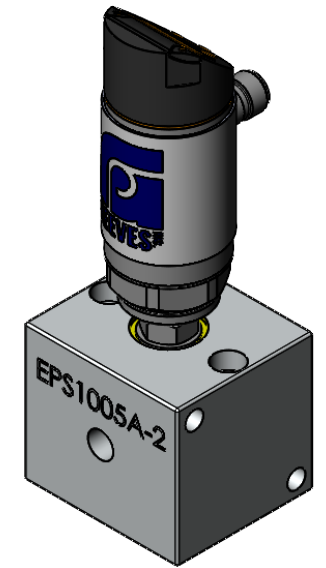
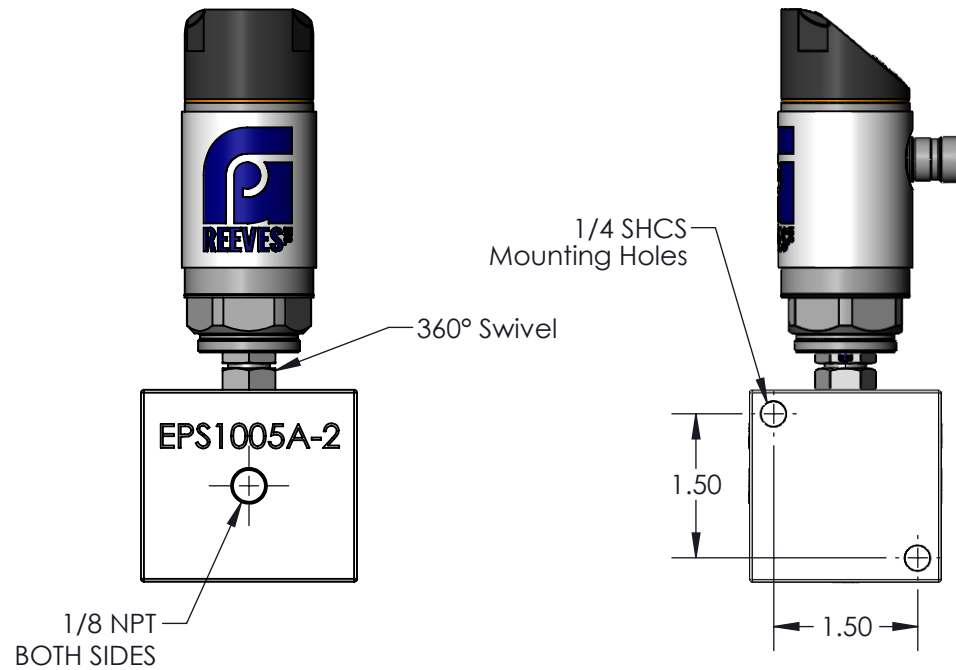
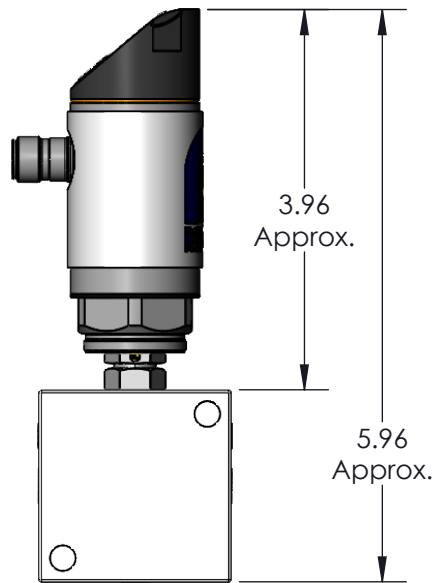
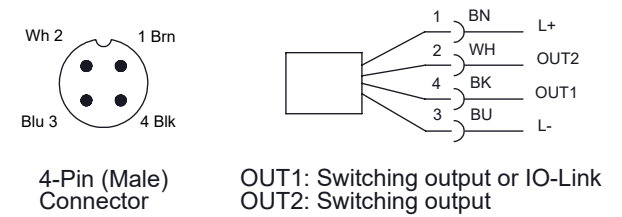


DEFAULT SETTING

Programming:
 Under the EF sub menu
 Ou1 = Hno (hysteresis mode)
 Ou2 = Hno
 uni = PSI
 Main menu
 SP1 = 190
 RP1 = 160
 SP2 = 130
 RP2 = 100



Wiring Diagram for Pressure Sensor



EPS1005A-2:

Electronic pressure sensor with 2 switching outputs and IO-Link, configurable PNP/NPN and NO/NC outputs, with a pressure range of 0-1450 PSI. Includes a 1/8" NPT manifold. 10-30 VDC. Connector is 4-pin Micro for use with 1850 cord.

SALES DRAWING			GP REEVES INC HOLLAND, MI USA
UNLESS SPECIFIED: DIMENSIONS IN INCHES			DESCRIPTION: ELECTRONIC PRESSURE SENSOR, DIGITAL, 1/8 NPT MANIFOLD
PROPRIETARY AND CONFIDENTIAL THE INFORMATION CONTAINED IN THIS DRAWING IS THE SOLE PROPERTY OF G.P. REEVES INC. ANY REPRODUCTION IN PART OR AS A WHOLE WITHOUT THE WRITTEN PERMISSION OF G.P. REEVES INC. IS PROHIBITED.		DRAWING NO. EPS1005A-2	SHEET 1 OF 3 REV A
MODELED	BY KPR	DATE 7/15/2022	WEIGHT:
DETAILED	SRT	7/18/2022	SIZE A SCALE: 1:2