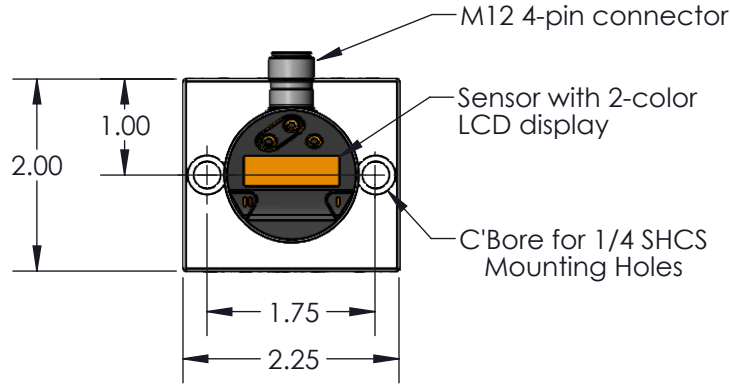
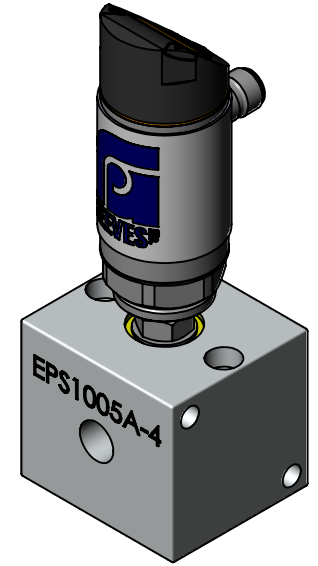
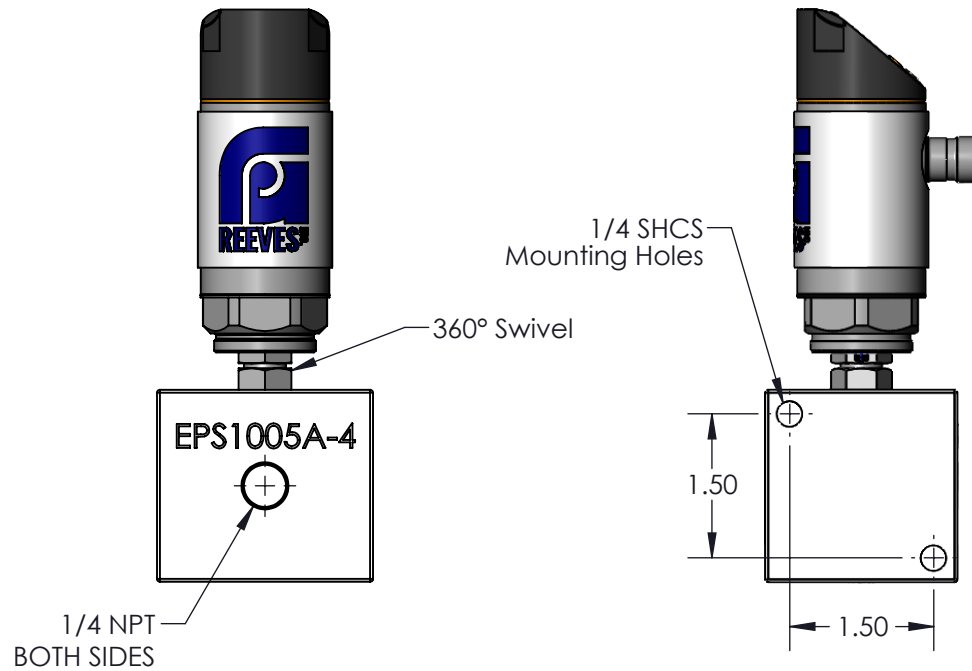
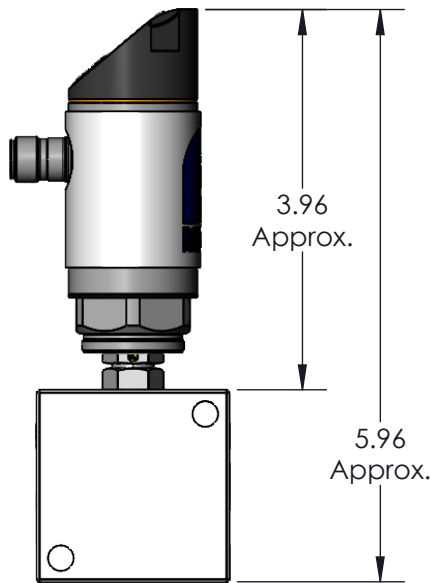
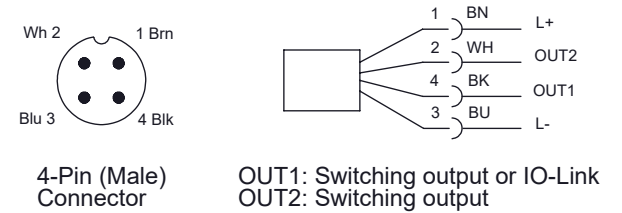


DEFAULT SETTING

Programming:
 Under the EF sub menu
 Ou1 = Hno (hysteresis mode)
 Ou2 = Hno
 uni = PSI
 Main menu
 SP1 = 190
 RP1 = 160
 SP2 = 130
 RP2 = 100



Wiring Diagram for Pressure Sensor



EPS1005A-4:

Electronic Pressure Sensor with 0 to 1450 p.s.i. LCD readout scale, swivel, mounting block with two 1/4 NPT ports, and dual setpoint discrete outputs operates on 10-30 VDC. Minimum pressure setting is 10 p.s.i., minimum difference between high and low settings for an output is 10 p.s.i., settings in increments of 1 p.s.i. Connector is 4-pin Micro for use with 1850 cord. IO-Link compatible.

SALES DRAWING					GP REEVES INC HOLLAND, MI USA
UNLESS SPECIFIED: DIMENSIONS IN INCHES			DESCRIPTION: ELECTRONIC PRESSURE SENSOR,		
PROPRIETARY AND CONFIDENTIAL THE INFORMATION CONTAINED IN THIS DRAWING IS THE SOLE PROPERTY OF G.P. REEVES INC. ANY REPRODUCTION IN PART OR AS A WHOLE WITHOUT THE WRITTEN PERMISSION OF G.P. REEVES INC. IS PROHIBITED.			DRAWING NO. SHEET 1 OF 3 EPS1005A-4 REV A		
MODELED	KPR	DATE 7/15/2022	WEIGHT:	SIZE A	SCALE: 1:2
DETAILED	SRT	DATE 7/18/2022	Last updated: 7/18/2022		