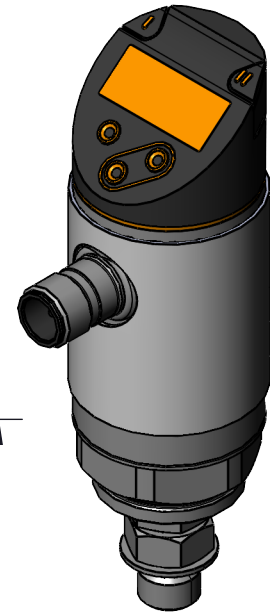
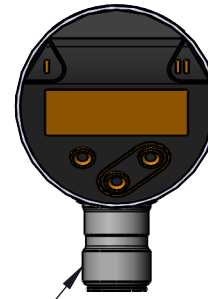


# EPS1005A ELECTRONIC PRESSURE SENSOR SPECIFICATIONS

3D Model Available

Pressure Range	0-1450 PSI (0-10 MPa)
Power Supply	18-30 VDC
Pressure Rating	4350 PSI
Current Consumption	<35mA
Temperature Range	-13 to 176°F (-25 to 80°C)
Wetted Parts	SS, ceramics, FKM
Weight	261g



**CABLE OPTIONS**  
 Both are DC Micro style (four-pin type) with 5 meter long PVC cord  
 #1850 cord has a straight connector #1851 cord has a 90 degree connector

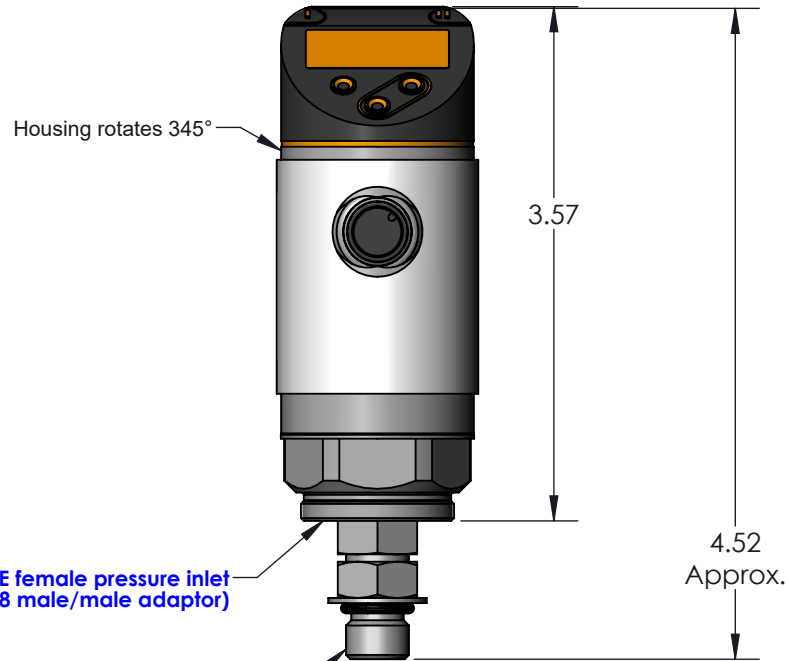
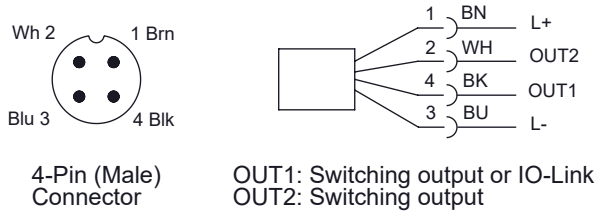
## GP REEVES FACTORY SETTINGS

### DEFAULT SETTING

For use as Pressure Sensor (EPS1005A) Programming:  
 Under the EF sub menu  
 Ou1 = Hno (hysteresis mode)  
 Ou2 = Hno  
 uni = PSI  
 Main menu  
 SP1 = 190  
 RP1 = 160  
 SP2 = 130  
 RP2 = 100

For use as Flow Sensor (Option 06) Programming:  
 Under the EF sub menu  
 Ou1 = Fno (window mode)  
 Ou2 = Fno  
 uni = PSI  
 Main menu  
 FH1 = 1000  
 FL1 = 20  
 FH2 = 1000  
 FL2 = 70

### Wiring Diagram for Pressure Sensor



### EPS1005A:

Pressure sensor, 4-digit 2-color LED display in units of bar, MPa, and psi, 4-wire DC, dual PNP/NPN switching outputs, 7/16" SAE (SAE-4) female process connection, 0-1450 psi range, 4-pin micro DC connector. IO-Link compatible.

<b>SALES DRAWING</b>			GP REEVES INC
UNLESS SPECIFIED: DIMENSIONS IN INCHES			HOLLAND, MI USA
<b>PROPRIETARY AND CONFIDENTIAL</b> THE INFORMATION CONTAINED IN THIS DRAWING IS THE SOLE PROPERTY OF G.P. REEVES INC. ANY REPRODUCTION IN PART OR AS A WHOLE WITHOUT THE WRITTEN PERMISSION OF G.P. REEVES INC. IS PROHIBITED.		DESCRIPTION: <b>ELECTRONIC PRESSURE SENSOR</b>	
MODELED	BY	DATE	DRAWING NO.
	KPR	7/15/2022	EPS1005A
DETAILED	SRT	7/18/2022	SHEET 1 OF 2
WEIGHT:		SIZE A	SCALE: 3:4
		REV <b>A</b>	