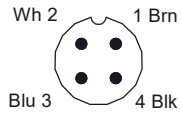
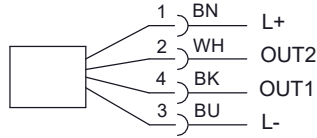


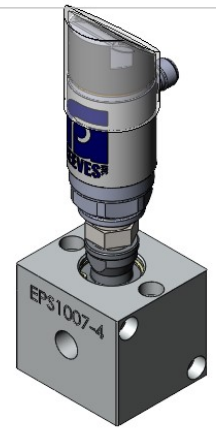
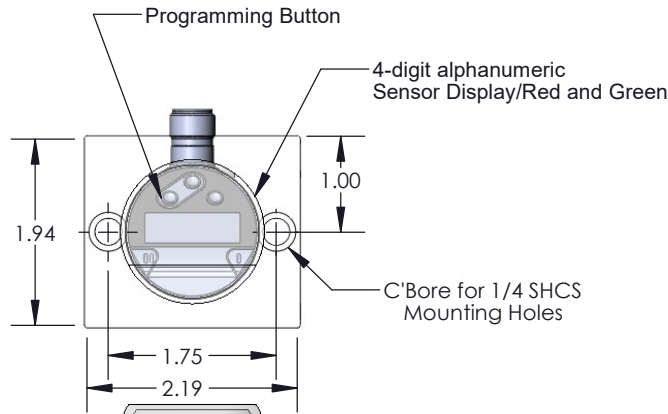
# Wiring Diagram for EPS1007 Pressure Sensor



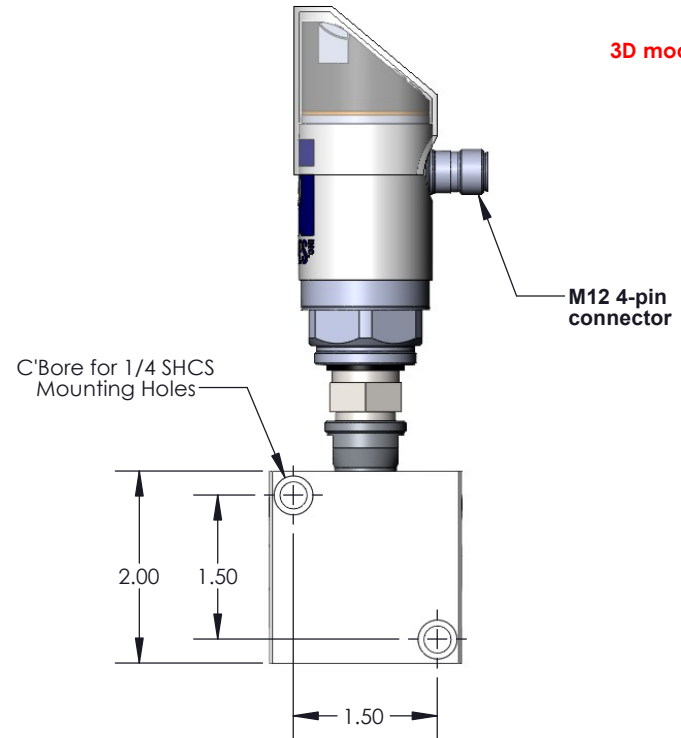
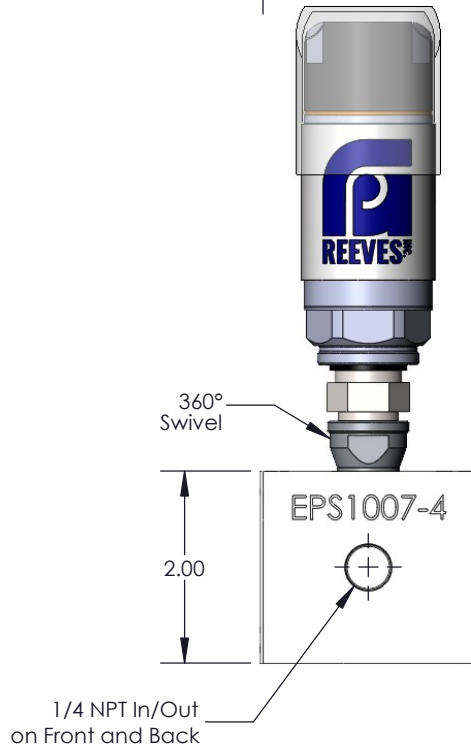
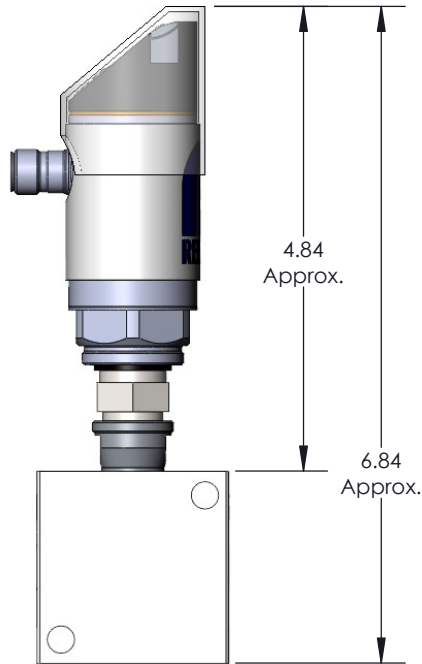
4-Pin (Male) Connector



OUT1: Switching output or IO-Link  
OUT2: Switching output or 4-20 mA / 0-10 V



3D model Available



**EPS1007-4:**  
IFM Electronic Pressure Sensor with 0 to 3500 PSI range, analog and digital outputs, LCD readout scale, 360° swivel and mounting block with two 1/4 NPT ports.

Can be used for analog or discrete pressure sensing, with PNP or NPN outputs.

**REFERENCE DOCUMENTATION:**  
80227599UK - IFM Operating Instructions

<b>SALES DRAWING</b>			GP REEVES INC HOLLAND, MI USA
UNLESS SPECIFIED: DIMENSIONS IN INCHES			DESCRIPTION: <b>ELECTRONIC PRESSURE SENSOR</b>
<small>PROPRIETARY AND CONFIDENTIAL THE INFORMATION CONTAINED IN THIS DRAWING IS THE SOLE PROPERTY OF G.P. REEVES INC. ANY REPRODUCTION IN PART OR AS A WHOLE WITHOUT THE WRITTEN PERMISSION OF G.P. REEVES INC. IS PROHIBITED.</small>			
MODELED	BY	DATE	DRAWING NO. <b>EPS1007-4</b>
	BMA	6/27/17	SHEET 2 OF 3 <b>A</b>
DETAILED	BMA	6/27/17	WEIGHT:
			SIZE A SCALE: 1:2