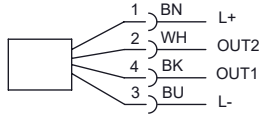
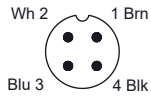


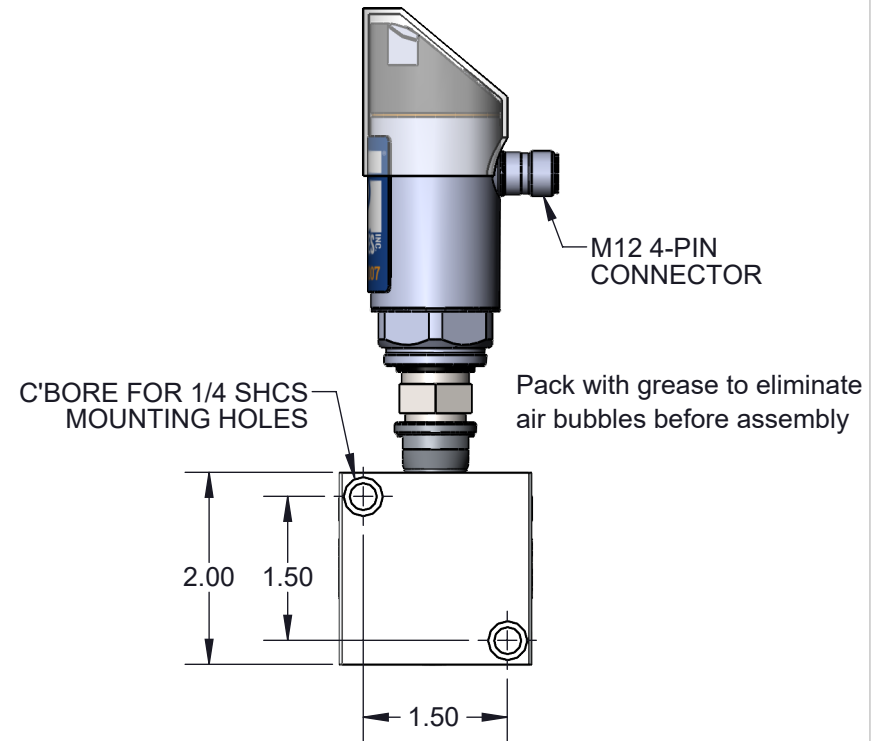
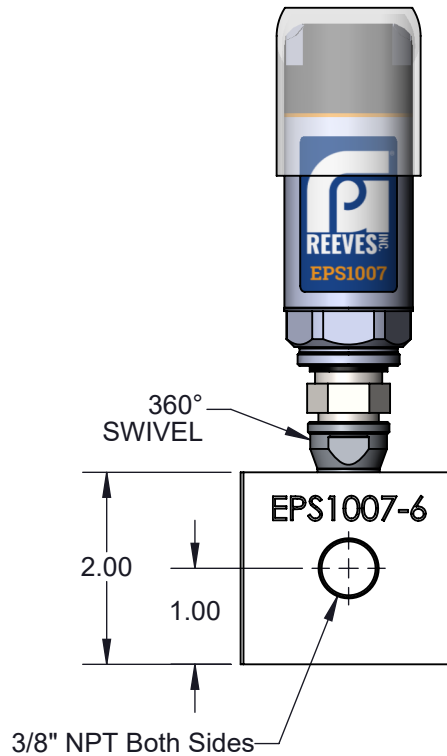
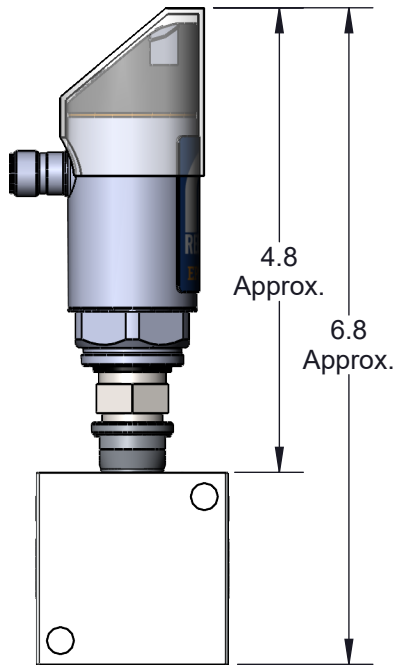
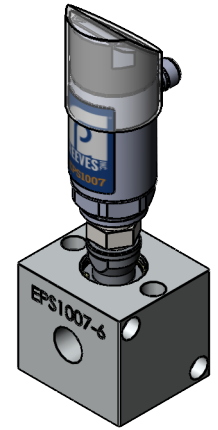
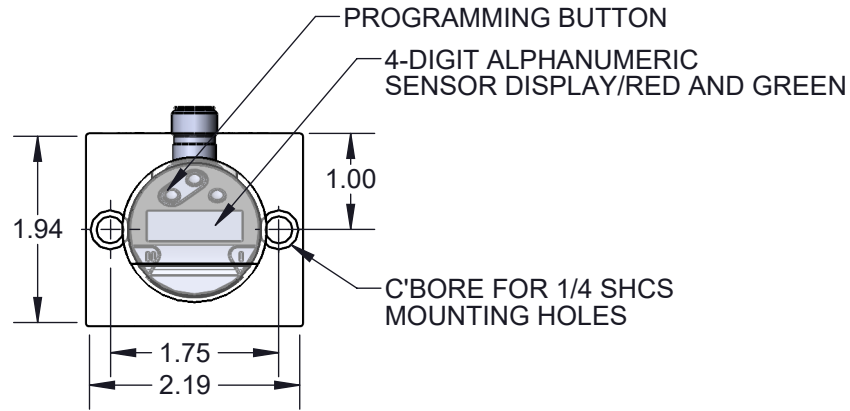
Wiring Diagram for EPS1007 Pressure Sensor



4-Pin (Male) Connector

OUT1: Switching output or IO-Link
OUT2: Switching output or 4-20 mA / 0-10 V

3D Model Available



EPS1007-6:

IFM Electronic Pressure Sensor with 0 to 3500 PSI range, analog and digital outputs, LCD readout scale, 360° swivel and mounting block with two 3/8 NPT ports. Can be used for analog or discrete pressure sensing, with PNP or NPN outputs.

SALES DRAWING			GP REEVES INC HOLLAND, MI USA	
UNLESS SPECIFIED: DIMENSIONS IN INCHES			DESCRIPTION: ELECTRONIC PRESSURE SENSOR	
PROPRIETARY AND CONFIDENTIAL THE INFORMATION CONTAINED IN THIS DRAWING IS THE SOLE PROPERTY OF G.P. REEVES INC. ANY REPRODUCTION IN PART OR AS A WHOLE WITHOUT THE WRITTEN PERMISSION OF G.P. REEVES INC. IS PROHIBITED.				
MODELED	ACL	DATE	8/22/16	DRAWING NO. EPS1007-6
DETAILED	ACL	DATE	8/22/16	
WEIGHT:		SIZE	A	SCALE: 1:2