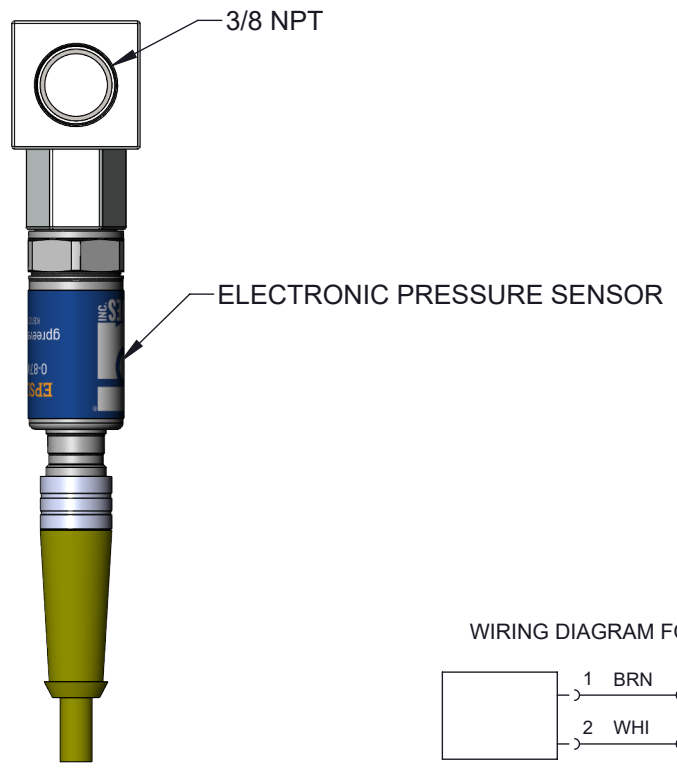
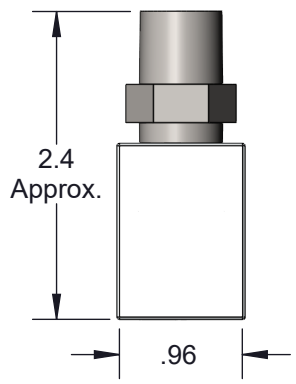
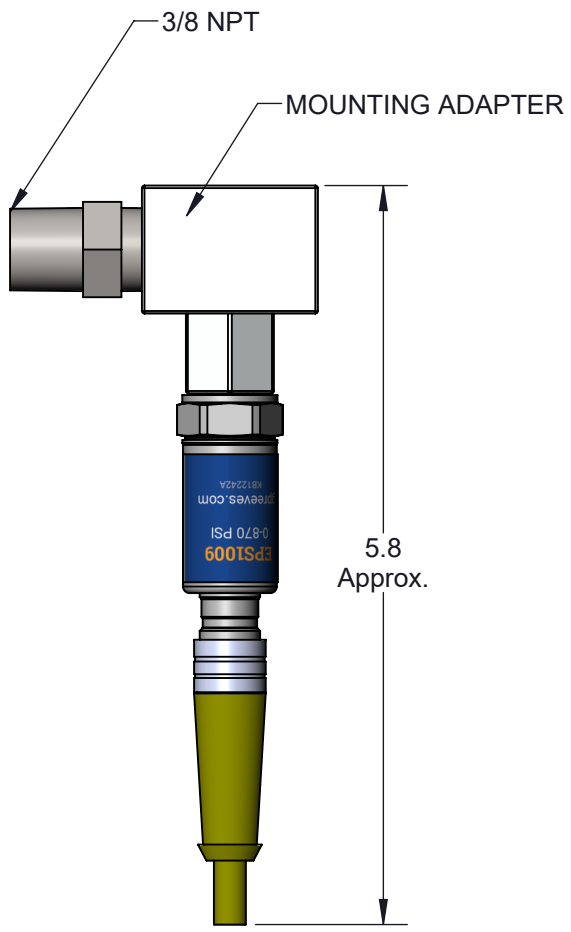
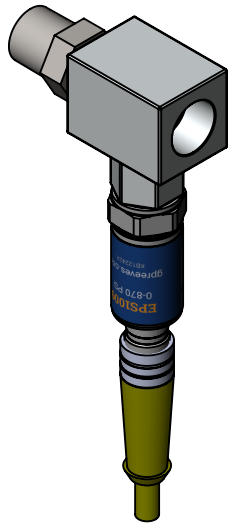
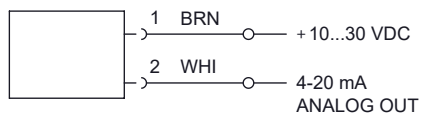


3D Model Available



WIRING DIAGRAM FOR SENSOR



EPS1009-6:
EPS1009 Assembly with 3/8" NPT mounting adapter.

Data Sheet:
PL5423-00

SALES DRAWING			GP REEVES INC HOLLAND, MI USA	
UNLESS SPECIFIED: DIMENSIONS IN INCHES			DESCRIPTION: EPS1009 ADAPTER ASSEMBLY, 3/8" NPT	
<small>PROPRIETARY AND CONFIDENTIAL THE INFORMATION CONTAINED IN THIS DRAWING IS THE SOLE PROPERTY OF G.P. REEVES INC. ANY REPRODUCTION IN PART OR AS A WHOLE WITHOUT THE WRITTEN PERMISSION OF G.P. REEVES INC. IS PROHIBITED.</small>				
MODELED	BY	DATE	DRAWING NO.	SHEET 1 OF 2
DETAILED	SRT	7/28/2023	EPS1009-6	REV A
WEIGHT:		SIZE	SCALE: 2:3	
		A		

Last updated: 8/16/2023