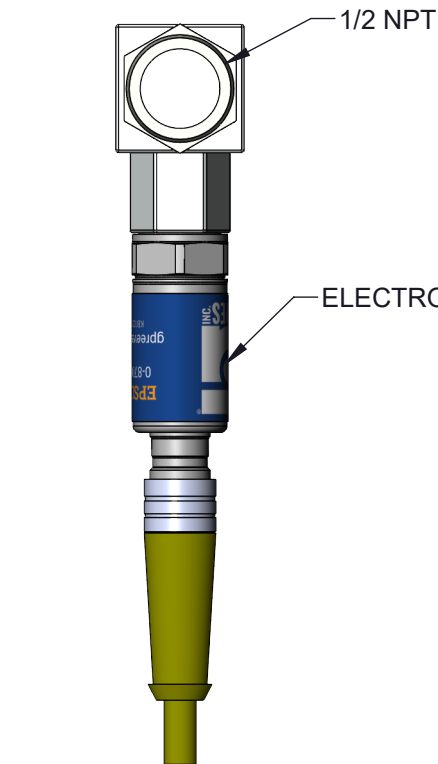
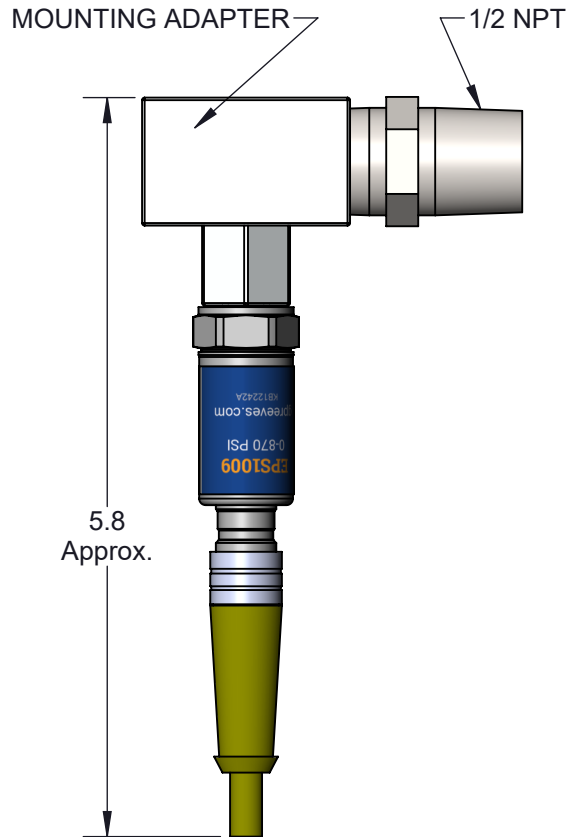
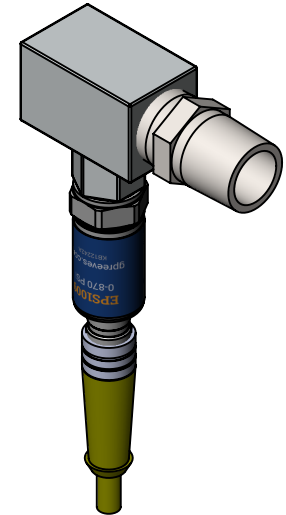
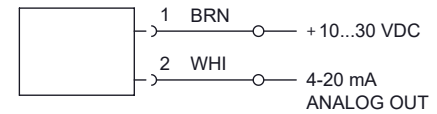


3D Model Available



WIRING DIAGRAM FOR SENSOR



M12 Male Connector, Coding: A

EPS1009-8:
EPS1009 Assembly with 1/2" NPT mounting adapter.

Data Sheet:
PL5423-00

SALES DRAWING			REEVES		GP REEVES INC HOLLAND, MI USA
UNLESS SPECIFIED: DIMENSIONS IN INCHES			DESCRIPTION: EPS1009 ADAPTER ASSEMBLY, 1/2" NPT		
PROPRIETARY AND CONFIDENTIAL THE INFORMATION CONTAINED IN THIS DRAWING IS THE SOLE PROPERTY OF G.P. REEVES INC. ANY REPRODUCTION IN PART OR AS A WHOLE WITHOUT THE WRITTEN PERMISSION OF G.P. REEVES INC. IS PROHIBITED.					
MODELED	BY	DATE	DRAWING NO.	SHEET 1 OF 2	REV
	SRT	7/28/2023	EPS1009-8		A
DETAILED	DDF	8/16/2023	WEIGHT:	SIZE A	SCALE: 2:3

Last updated: 8/16/2023