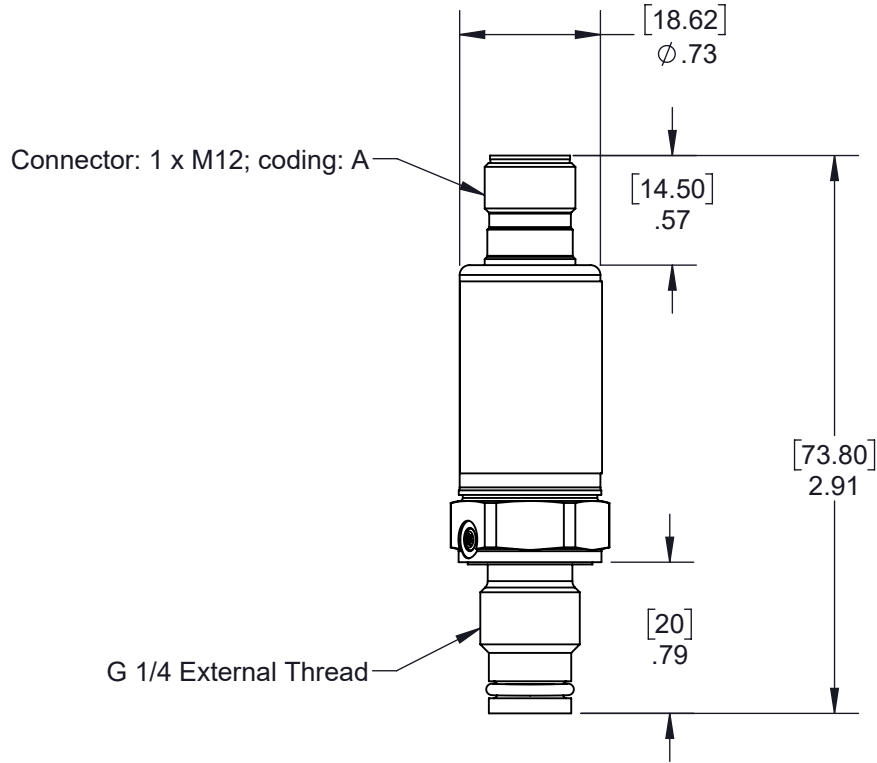


WIRING DIAGRAM FOR SENSOR




3D Model Available



EPS1009:

Flush mounted, 4-20 MA electronic pressure sensor for use with RTV, sealant, or 2K. Sensor requires a custom male adapter fitting, has a pressure range of 0-870 PSI and includes no manifold.

Data Sheet:
PL5423-00

SALES DRAWING					GP REEVES INC HOLLAND, MI USA
UNLESS SPECIFIED: DIMENSIONS IN INCHES			DESCRIPTION: ELECTRONIC PRESSURE SENSOR, 0-870 PSI		
PROPRIETARY AND CONFIDENTIAL THE INFORMATION CONTAINED IN THIS DRAWING IS THE SOLE PROPERTY OF G.P. REEVES INC. ANY REPRODUCTION IN PART OR AS A WHOLE WITHOUT THE WRITTEN PERMISSION OF G.P. REEVES INC. IS PROHIBITED.			DRAWING NO. EPS1009		SHEET 1 OF 2 A
MODELED	BY	DATE	WEIGHT:		
KPR	ACL	4/29/2022	SIZE A	SCALE: 1:1	
DETAILED	ACL	8/16/2023	Last updated: 8/16/2023		