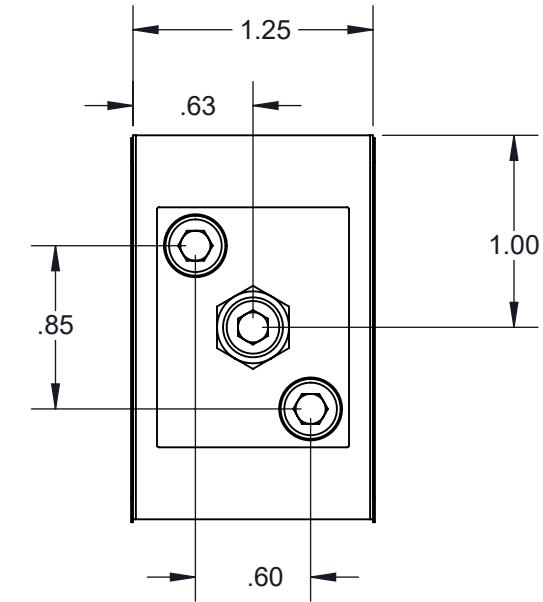
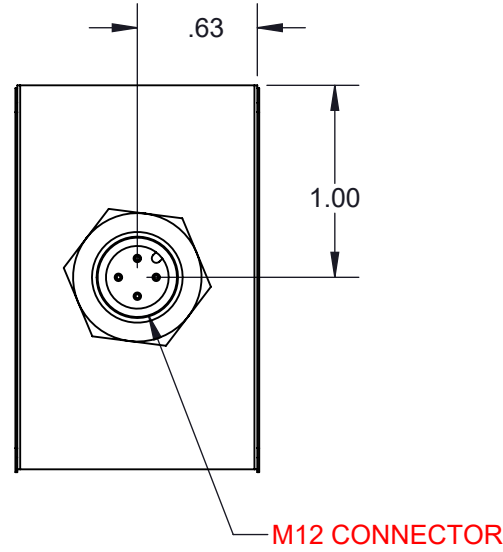
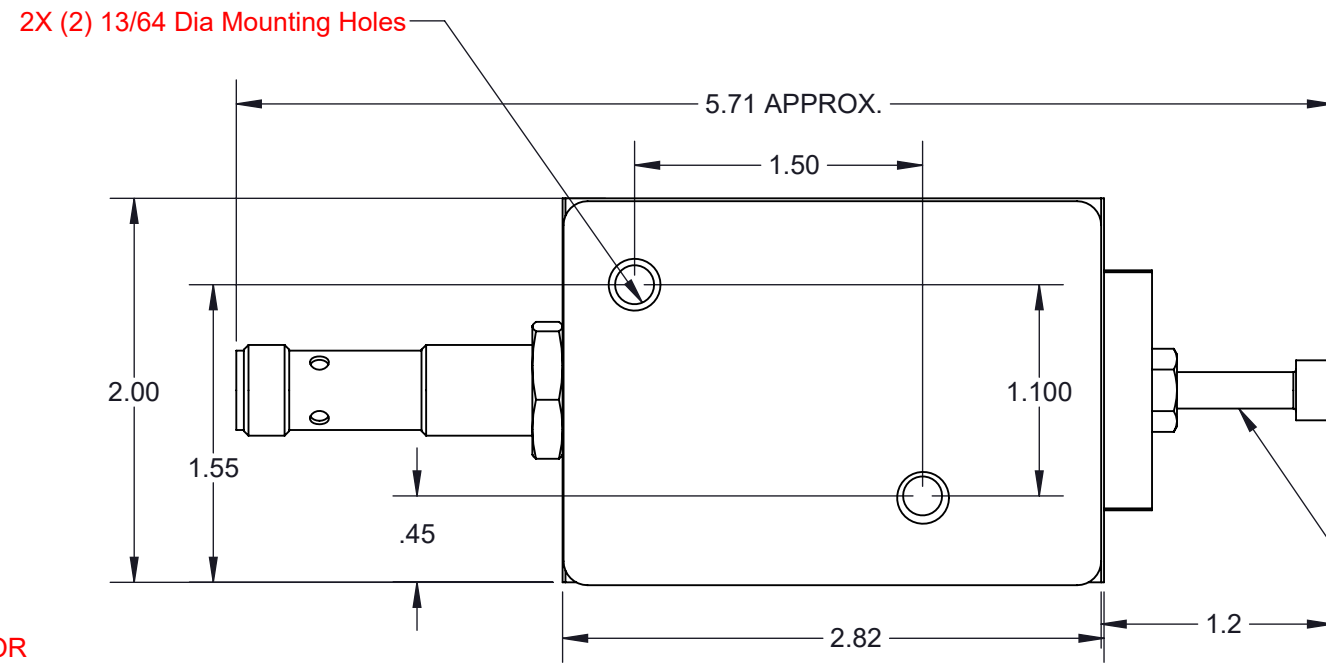
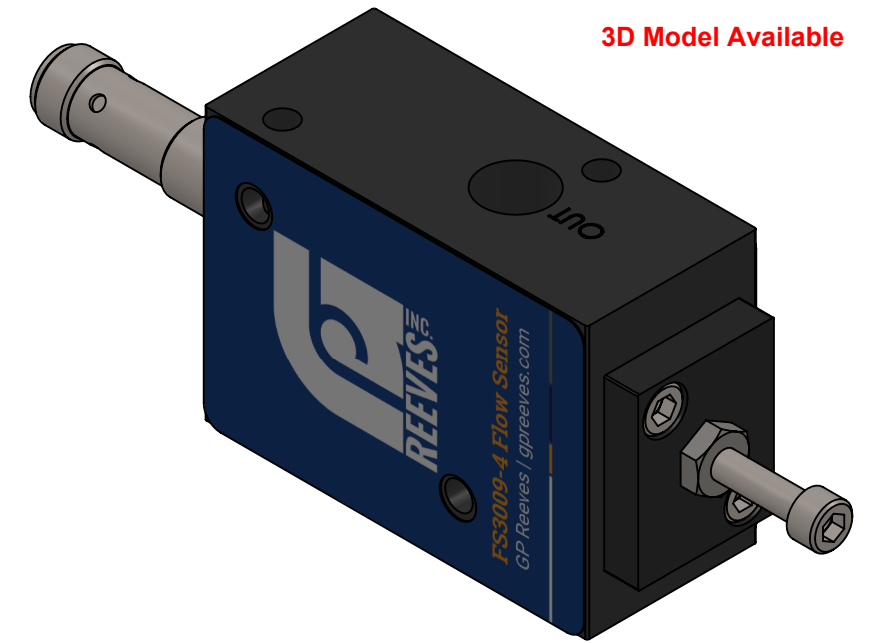
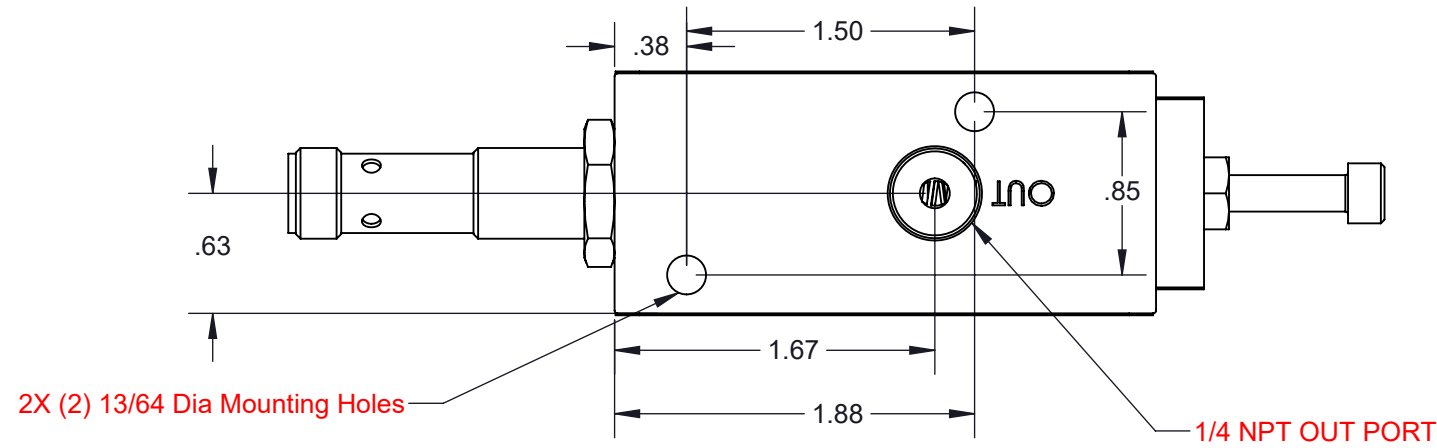


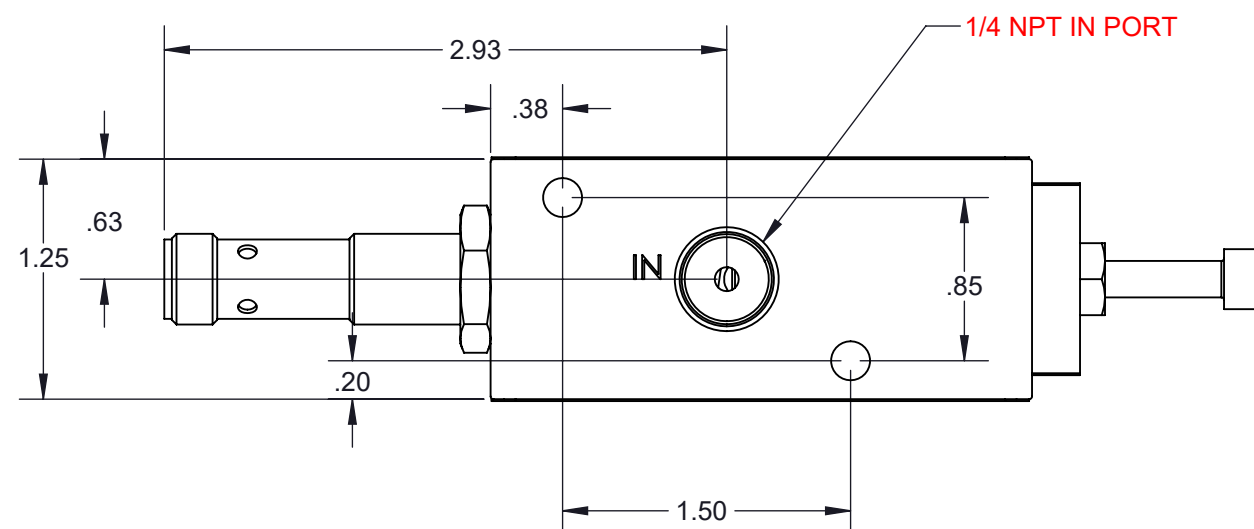
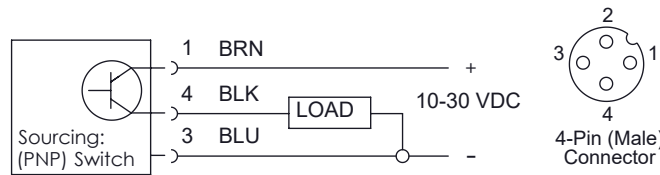
**Flow Sensor Specifications**

- Minimum shot size: 0.03 cc
- Minimum flow rate: 0.2 cc/second
- Maximum flow rate: 6 cc/second\*
- Maximum pressure: 1000 PSI
- Body: acetal (Delrin)
- Internals: steel, brass, viton

\*Tested with NLGI 1.5 grease



**WIRING DIAGRAM FOR PNP SENSOR**



**BIAS ADJUSTMENT:** Turning screw in will provide faster reset time for thick grease or large dispense shots. For small shots or thinner materials, screw may need to be adjusted out (if the signal does not blink during a good dispense).

**SALES DRAWING**

**PROPRIETARY AND CONFIDENTIAL**  
THE INFORMATION CONTAINED IN THIS DRAWING IS THE SOLE PROPERTY OF G.P. REEVES INC. ANY REPRODUCTION IN PART OR AS A WHOLE WITHOUT THE WRITTEN PERMISSION OF G.P. REEVES INC. IS PROHIBITED.



**DESCRIPTION:**  
Grease Flow Sensor

Dimensions: Inches unless noted		SIZE	DWG. NO.	REV
MODELED	KPR	B	FS3009-4	A
DETAILED	KPR	SCALE: 1:1	WEIGHT:	SHEET 1 OF 3