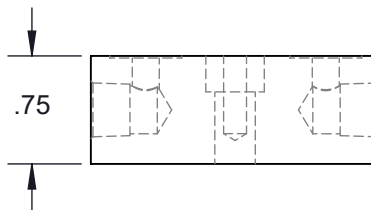
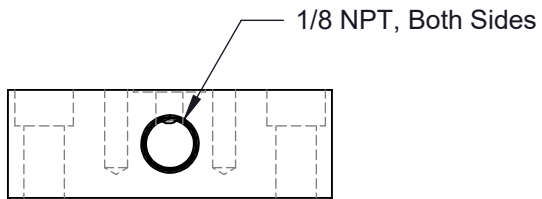
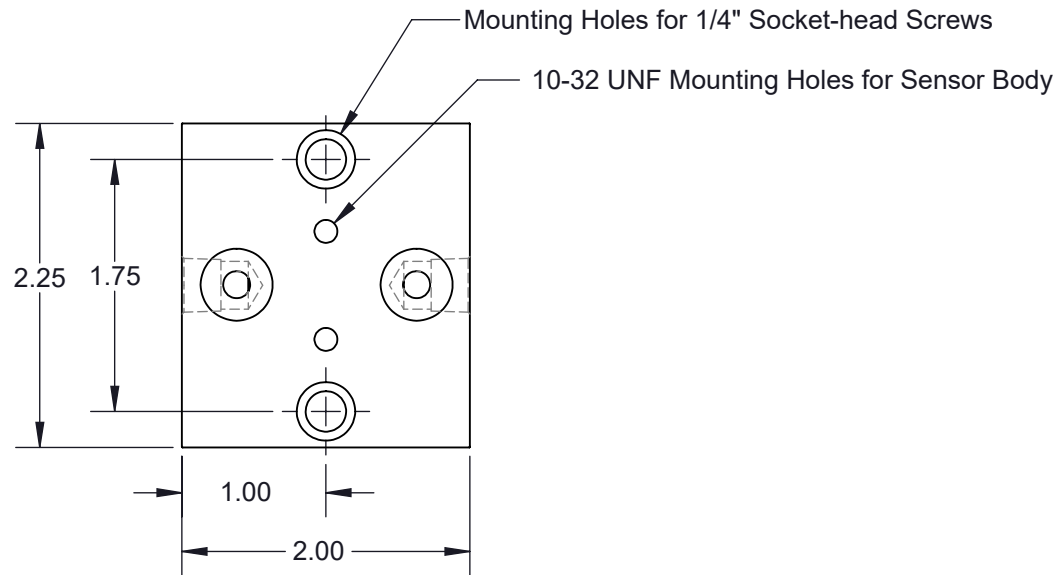



FS3002 flow sensor shown for reference  
(not included)

MATERIAL IN PORT  
(not shown)

MATERIAL OUT PORT



<b>SALES DRAWING</b>					GP REEVES INC HOLLAND, MI USA
UNLESS SPECIFIED: DIMENSIONS IN INCHES			DESCRIPTION: <b>FLOW SENSOR MANIFOLD, SINGLE STATION, 1/8 NPT INLINE PORTS</b>		
<b>PROPRIETARY AND CONFIDENTIAL</b> THE INFORMATION CONTAINED IN THIS DRAWING IS THE SOLE PROPERTY OF G.P. REEVES INC. ANY REPRODUCTION IN PART OR AS A WHOLE WITHOUT THE WRITTEN PERMISSION OF G.P. REEVES INC. IS PROHIBITED.			DRAWING NO. <b>FSM2000-1</b>		SHEET 1 OF 2 REV <b>A</b>
MODELED	BY RLL	DATE 1/21/1994	WEIGHT:		
DETAILED			SIZE A	SCALE: 3:4	