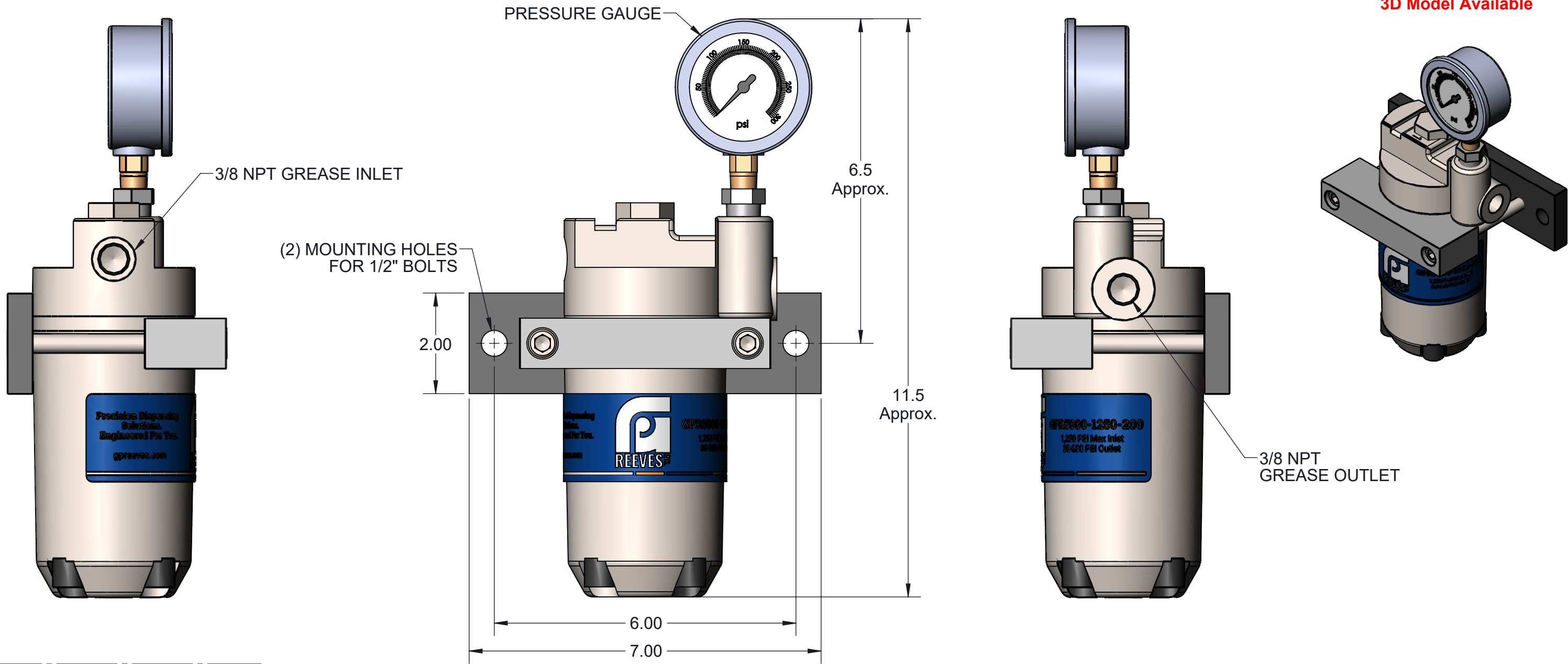
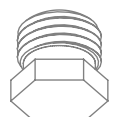


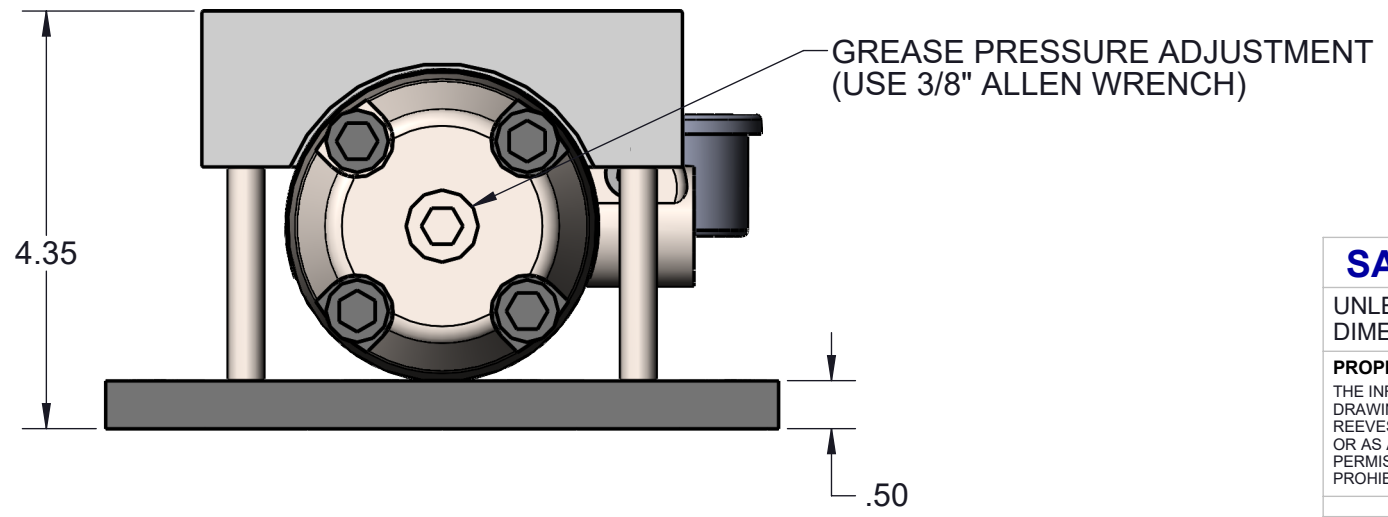
3D Model Available





 Regulators are shipped with a flush-out plug for maintenance only. Installing this plug will force the regulator open so that material flows freely through. While installed, **outlet pressure will be equal to supply pressure**. This is used to flush debris from the regulator.

GPR5000-1250-200:
 Material pressure regulator with maximum primary pressure of 1250 PSI and secondary pressure of 50 to 200 PSI. Inlet and outlet ports are 3/8 NPT. Includes mounting bracket and 300 PSI output pressure gauge.



| | | | | | |
|--|-----|--------------------|------------------|--|-------------------------|
| SALES DRAWING | | REEVES INC. | | GP REEVES INC HOLLAND, MI USA | |
| UNLESS SPECIFIED: DIMENSIONS IN INCHES | | | | DESCRIPTION: PRESSURE REGULATOR, MAX INLET 1,250 PSI, OUTLET 50 - 200 PSI, 0-300 PSI OUTPUT GAUGE | |
| PROPRIETARY AND CONFIDENTIAL THE INFORMATION CONTAINED IN THIS DRAWING IS THE SOLE PROPERTY OF G.P. REEVES INC. ANY REPRODUCTION IN PART OR AS A WHOLE WITHOUT THE WRITTEN PERMISSION OF G.P. REEVES INC. IS PROHIBITED. | | | | | |
| | BY | DATE | DRAWING NO. | REV | |
| MODELED | ACL | 12/2/2015 | GPR5000-1250-200 | A | |
| DETAILED | BMA | 5/1/2023 | WEIGHT: | SIZE B | SCALE: 1:2 SHEET 1 OF 2 |
| Last updated: 8/10/2023 | | | | | |