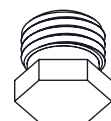
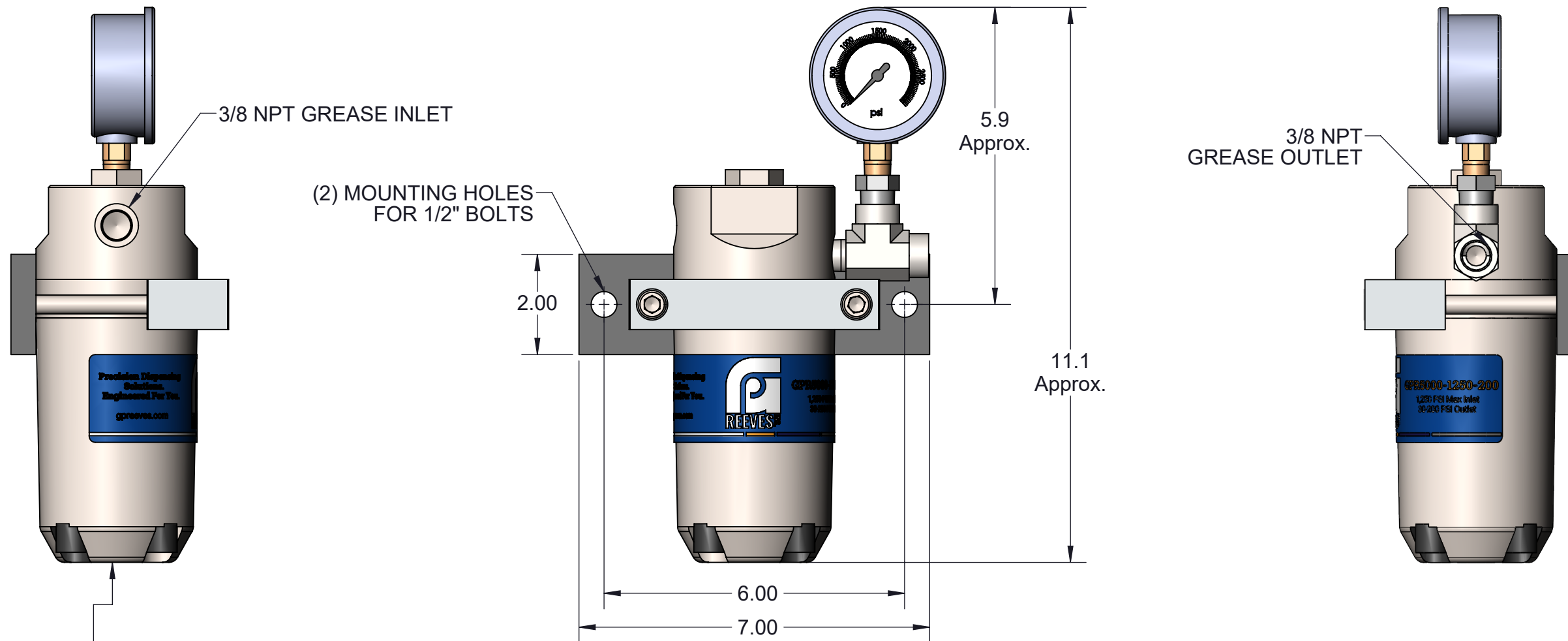
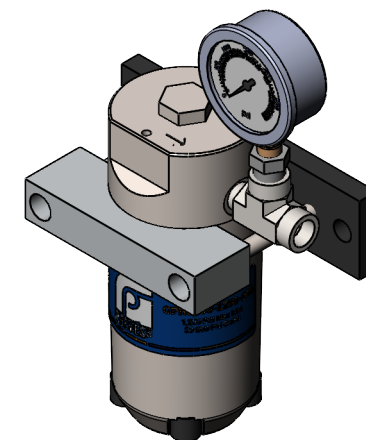
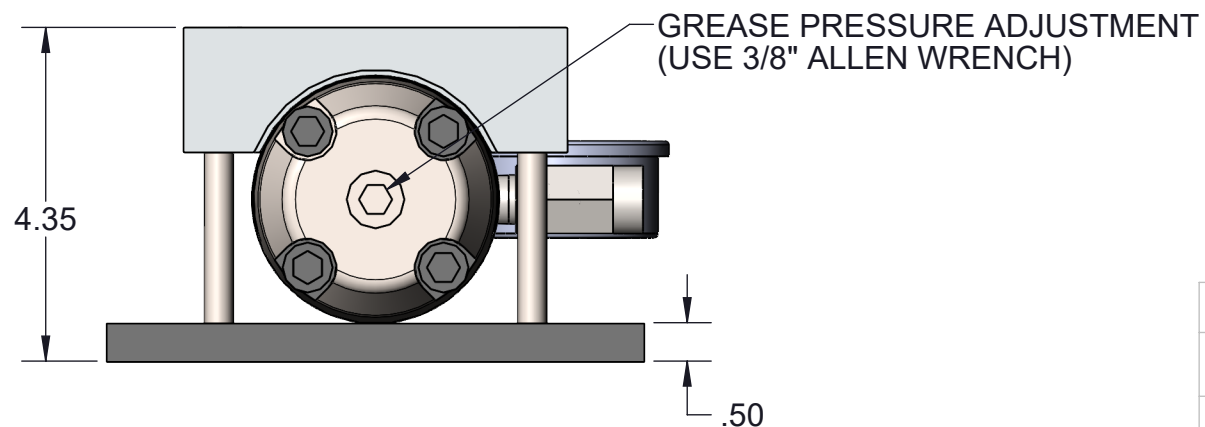


3D Model Available



Regulators are shipped with a flush-out plug for maintenance only. Installing this plug will force the regulator open so that material flows freely through. While installed, **outlet pressure will be equal to supply pressure**. This is used to flush debris from the regulator.



GPR5000-6000-1000:

Material pressure regulator has maximum primary pressure of 6,000 psi and controlled secondary pressure between 175 and 1,000 psi. Inlet and outlet ports are 3/8 NPT. Includes mounting bracket for easy panel mounting. Also includes a 0-3,000 PSI output pressure gauge.

SALES DRAWING			GP REEVES INC HOLLAND, MI USA	
UNLESS SPECIFIED: DIMENSIONS IN INCHES			DESCRIPTION: PRESSURE REGULATOR MAX INLET 6,000 PSI, OUTLET 175- 1,000 PSI, 0-3,000 PSI OUTPUT GAUGE.	
PROPRIETARY AND CONFIDENTIAL THE INFORMATION CONTAINED IN THIS DRAWING IS THE SOLE PROPERTY OF G.P. REEVES INC. ANY REPRODUCTION IN PART OR AS A WHOLE WITHOUT THE WRITTEN PERMISSION OF G.P. REEVES INC. IS PROHIBITED.				
MODELED	BY ACL	DATE 3/19/2015	DRAWING NO. GPR5000-6000-1000	REV A
DETAILED	DDF	8/11/2023	WEIGHT:	SIZE B SCALE: 2:5 SHEET 1 OF 2