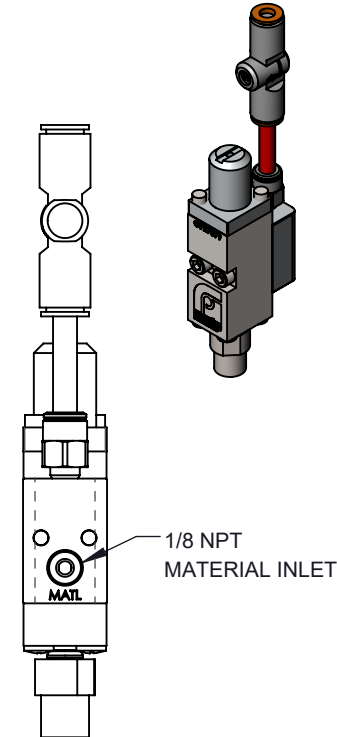
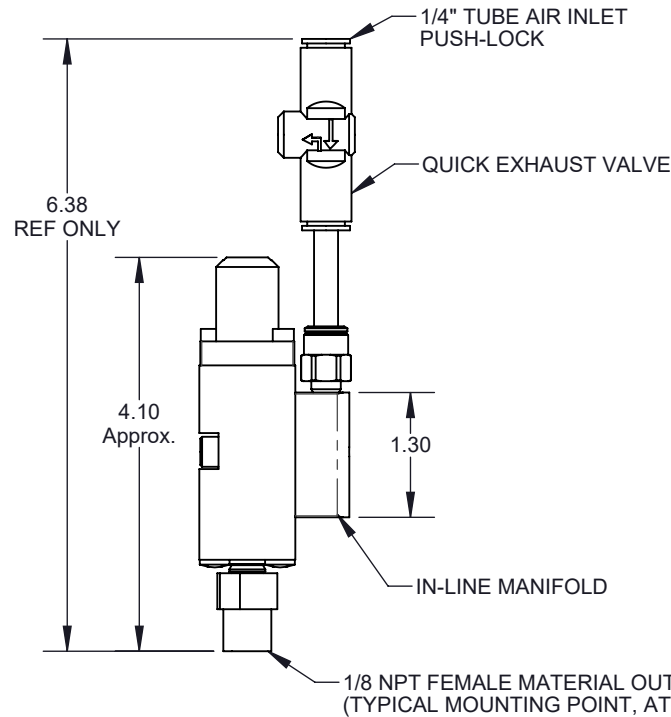
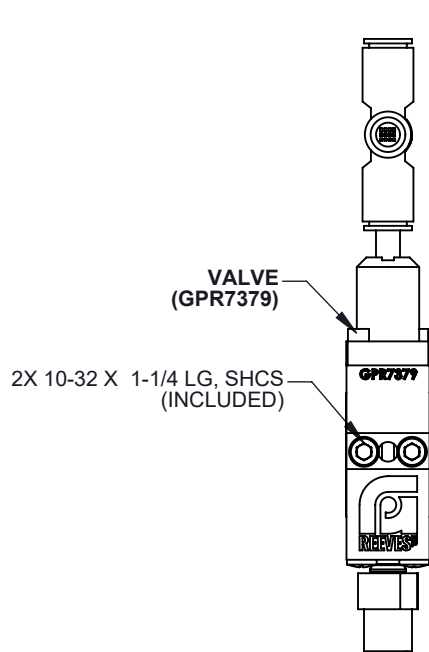
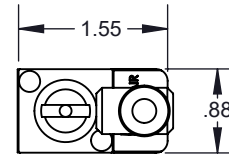


NOTE: 3-WAY VALVE SUPPLIED BY CUSTOMER



- I = inline manifold
- 2 = 1/8 NPT inlet
- 2F = 1/8 NPT Female outlet

DV100312-2F:

Dispense Valve with inline style feed block. Valve is air to open, spring to close. Valve has air inlet port for 1/4" tubing, 1/8 NPT female material inlet, and 1/8 NPT female outlet fitting.

SALES DRAWING			GP REEVES INC HOLLAND, MI USA	
UNLESS SPECIFIED: DIMENSIONS IN INCHES			DESCRIPTION: DISPENSE VALVE W/ INLINE STYLE FEED BLOCK.	
PROPRIETARY AND CONFIDENTIAL THE INFORMATION CONTAINED IN THIS DRAWING IS THE SOLE PROPERTY OF G.P. REEVES INC. ANY REPRODUCTION IN PART OR AS A WHOLE WITHOUT THE WRITTEN PERMISSION OF G.P. REEVES INC. IS PROHIBITED.				
MODELED	BY	DATE	DRAWING NO.	SHEET 1 OF 2
DETAILED	DFD	2/9/2023	DV100312-2F	REV A
WEIGHT: 0.48 lb		SIZE A	SCALE: 1:2	