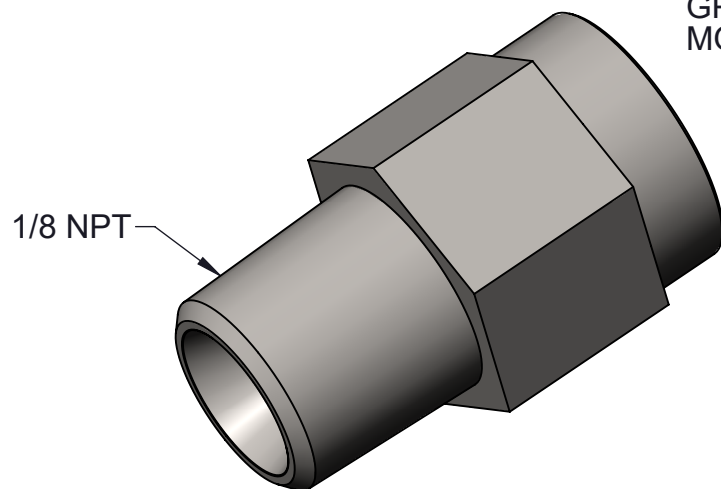



3/8"-24 INTERNAL THREAD FOR GP REEVES DISPENSE VALVE MODULE SUCH AS GPR7379

NYLON WASHER MUST BE INSTALLED FOR PROPER SEAL TO DISPENSE VALVE



SALES DRAWING				GP REEVES INC HOLLAND, MI USA
UNLESS SPECIFIED: DIMENSIONS IN INCHES		DESCRIPTION: DV ADAPTOR FOR 1/8 NPT MALE		
PROPRIETARY AND CONFIDENTIAL THE INFORMATION CONTAINED IN THIS DRAWING IS THE SOLE PROPERTY OF G.P. REEVES INC. ANY REPRODUCTION IN PART OR AS A WHOLE WITHOUT THE WRITTEN PERMISSION OF G.P. REEVES INC. IS PROHIBITED.		DRAWING NO.	SHEET 1 OF 1	REV A
MODELED	BY	DATE		
DETAILED			WEIGHT:	SIZE A SCALE: 3:1