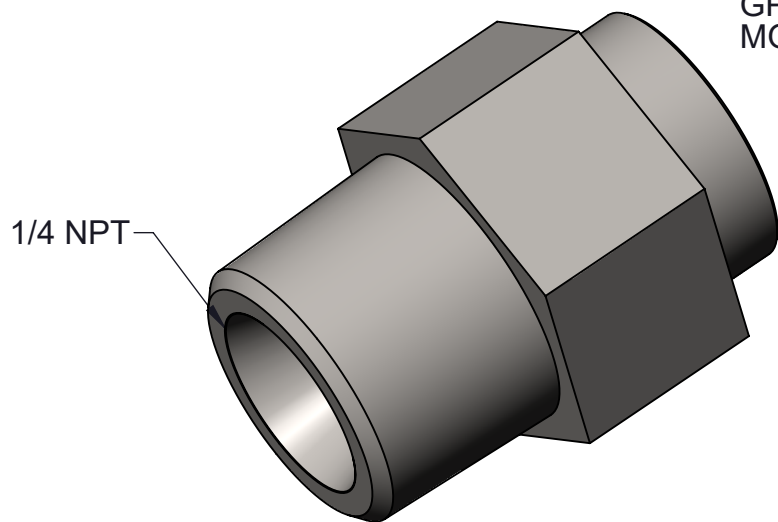


3/8"-24 INTERNAL THREAD FOR
GP REEVES DISPENSE VALVE
MODULE SUCH AS GPR7379

NYLON WASHER MUST BE
INSTALLED FOR PROPER SEAL TO
DISPENSE VALVE



SALES DRAWING			REEVES SM		GP REEVES INC HOLLAND, MI USA
UNLESS SPECIFIED: DIMENSIONS IN INCHES			DESCRIPTION: DV ADAPTOR FOR 1/4 NPT MALE		
PROPRIETARY AND CONFIDENTIAL THE INFORMATION CONTAINED IN THIS DRAWING IS THE SOLE PROPERTY OF G.P. REEVES INC. ANY REPRODUCTION IN PART OR AS A WHOLE WITHOUT THE WRITTEN PERMISSION OF G.P. REEVES INC. IS PROHIBITED.			DRAWING NO. DVA-4M	SHEET 1 OF 1	REV A
MODELED	KAB	1/10/24	WEIGHT:	SIZE A	SCALE: 3:1
DETAILED	ERK	1/10/24			