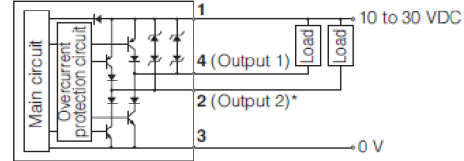


## Wiring, Output Diagram

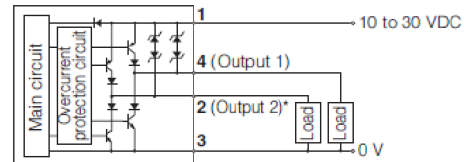
### Output diagram

- When choosing an NPN output



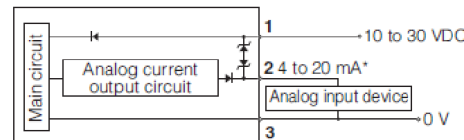
- When choosing the function of output 2 out (control output) only.

- When choosing a PNP output



- When choosing the function of output 2 out (control output) only.

### Analog output diagram



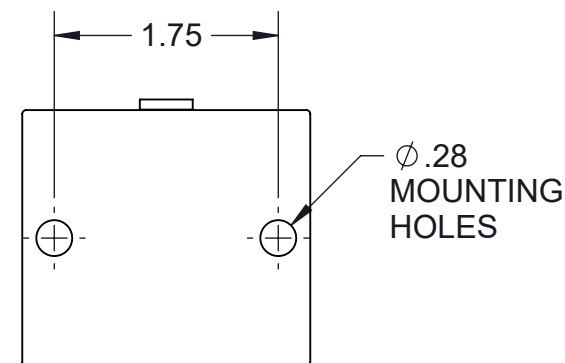
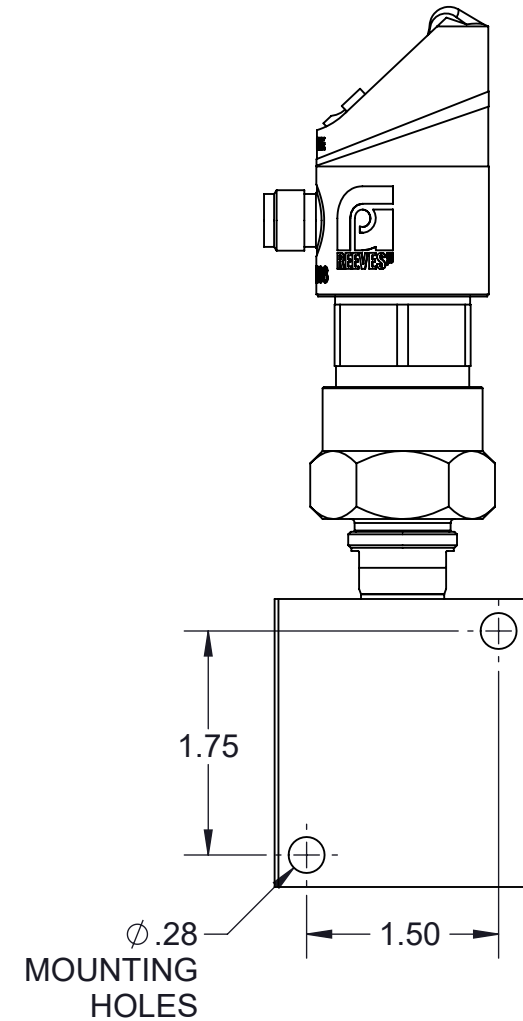
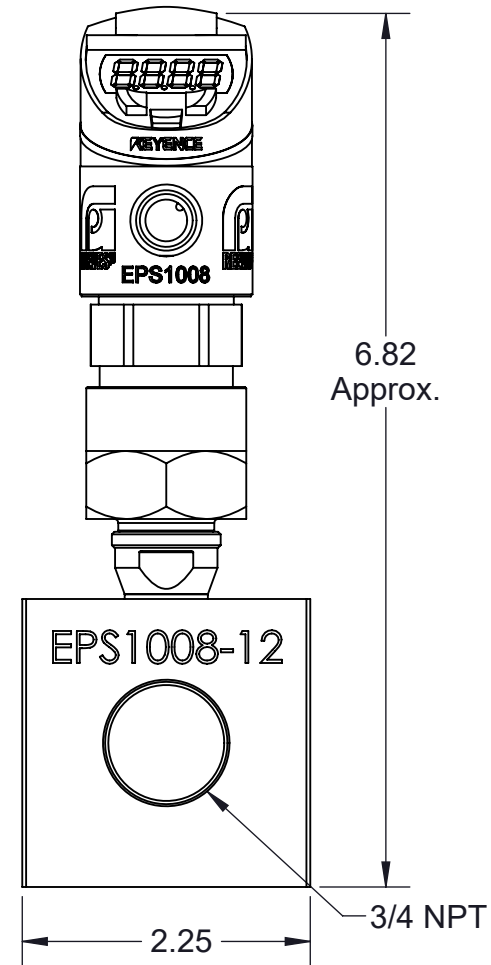
- When Choosing RnL of the Function of Output 2 only.

### M12 Connector Cable (Optional) Pin Position

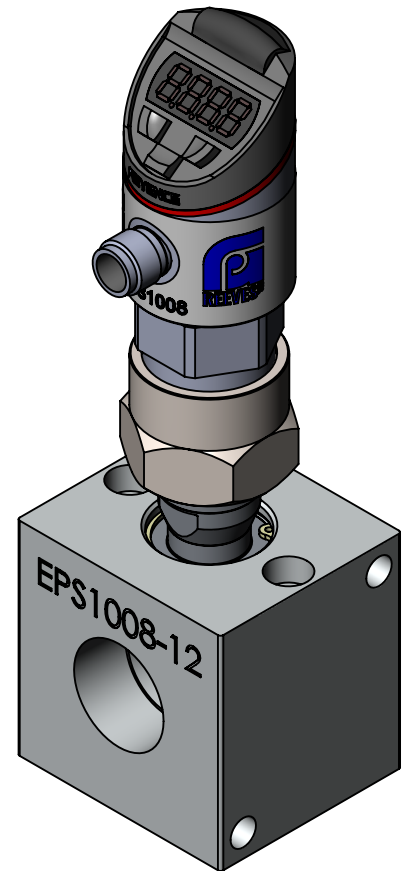


1	Brown
2	White
3	Blue
4	Black

Pressure Reference	
MPa	PSI
0.1	14.5
0.5	72.5
1	145
5	725
10	1450
15	2,175
20	2,900
25	3,625



3D Models Available



### EPS1008-12:

0-25 MPa range

Display in MPa units as default

Body of sensor may be rotated up to 330° after installed

3/4 NPT Manifold

### SALES DRAWING

UNLESS SPECIFIED:  
DIMENSIONS IN INCHES

**PROPRIETARY AND CONFIDENTIAL**  
THE INFORMATION CONTAINED IN THIS  
DRAWING IS THE SOLE PROPERTY OF G.P.  
REEVES INC. ANY REPRODUCTION IN PART  
OR AS A WHOLE WITHOUT THE WRITTEN  
PERMISSION OF G.P. REEVES INC. IS  
PROHIBITED.

	BY	DATE
MODELED	BMA	1/28/22
DETAILED	DDF	8/16/23



GP REEVES INC  
HOLLAND, MI USA

DESCRIPTION:  
ELECTRONIC PRESSURE SENSOR, 3/4"  
NPT PORTS

DRAWING NO.  
EPS1008-12

REV  
A

WEIGHT:	SIZE B	SCALE: 2:3	SHEET 1 OF 2

Last updated: 1/5/2024