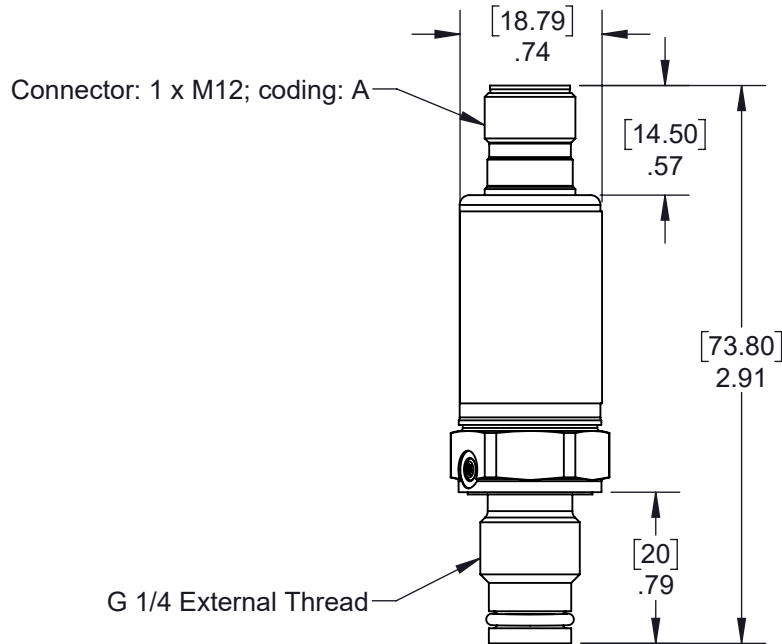


WIRING DIAGRAM FOR SENSOR




3D Model Available



EPS1010:

Flush mounted, 4-20 MA electronic pressure sensor for use with RTV, sealant, or 2K. Sensor requires a custom male adapter fitting, has a pressure range of 0-3625 PSI and includes no manifold.

Data Sheet:
PL5423-00

SALES DRAWING			GP REEVES INC HOLLAND, MI USA	
UNLESS SPECIFIED: DIMENSIONS IN INCHES			DESCRIPTION: PRESSURE TRANSDUCER	
PROPRIETARY AND CONFIDENTIAL THE INFORMATION CONTAINED IN THIS DRAWING IS THE SOLE PROPERTY OF G.P. REEVES INC. ANY REPRODUCTION IN PART OR AS A WHOLE WITHOUT THE WRITTEN PERMISSION OF G.P. REEVES INC. IS PROHIBITED.				
MODELED	BY	DATE	DRAWING NO. EPS1010	SHEET 1 OF 2 A
DETAILED			WEIGHT:	SIZE A SCALE: 1:1